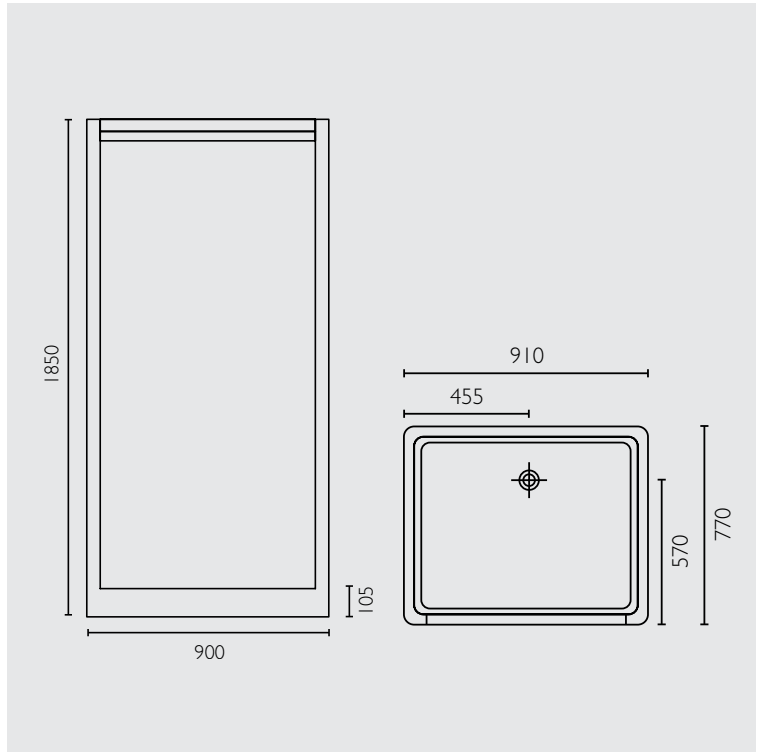


# se | I

shower enclosure



## FEATURES & BENEFITS

- > One piece construction, leakproof
- > Standard 3 sided enclosure
- > Rear drainage outlet
- > High step of 270mm is useful for bathing young children
- > Waste is positioned 570mm from front, 455mm from sides (centre)
- > Comes standard with curtain rail
- > Ideal for portable homes, campervans, etc

## SIZES

- > 910mm x 770mm
- > 1830mm high
- > 270mm high step

## WASTE

- > 40mm PVC

## COLOURS

- > Enclosure - white and ivory
- > Curtain rod - chrome

## MANUFACTURING MATERIALS

- > Fully moulded fibreglass unit with smooth acrylic finish

## GUARANTEES

- > Enclosure comes with a 12 month guarantee
- > Marbletrend will supply a replacement product where a fault is shown to be caused by faulty manufacture or materials, prior to correct installation.

## CODES

- |             |                     |
|-------------|---------------------|
| SE   I   AI | 915x750 A/Ivory H/S |
| SE   I   WH | 915x750 White H/S   |

## DISCLAIMER

The manufacturer/distributor reserves the right to vary specifications or delete models from their range without prior notification. Dimensions and set-outs listed are correct at the time of publication however the manufacturer/distributor takes no responsibility for printing errors.

Toll Free: 1800 902 226  
sales@marbletrend.com.au  
www.marbletrend.com.au