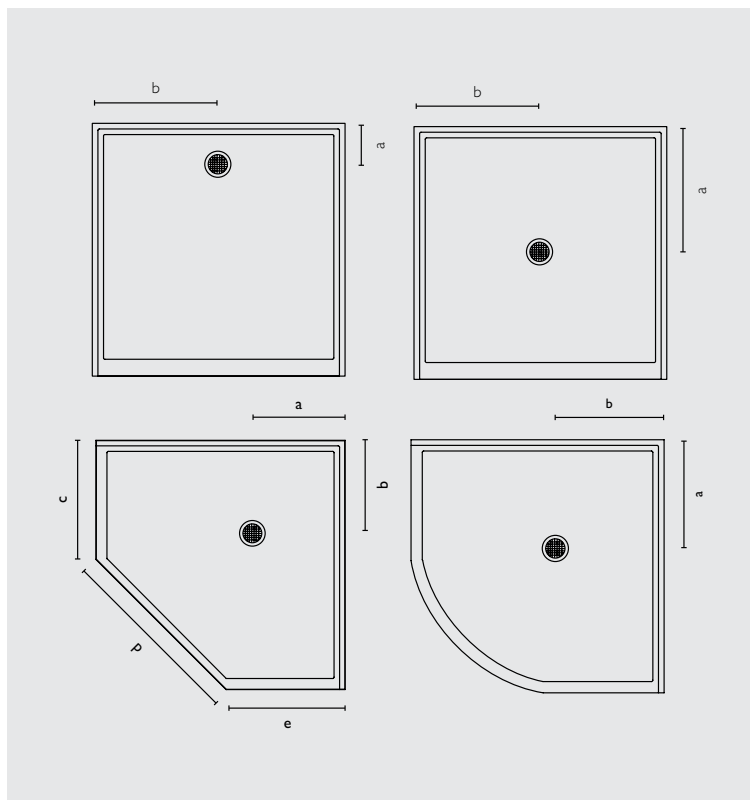


# hampton

shower base



## FEATURES AND BENEFITS

- > Non check in
- > Hampton base has a 50mm waste, standard for most households
- > Waste positions are rear and centre, to suit most applications
- > Self supporting
- > High grade acrylic
- > Easy installation
- > 900 x 900mm rear outlet has three tile flanges
- > 900 x 900mm rear outlet, right and left hand return also available
- > 900 x 900mm centre outlet has three tile flanges
- > 900 x 900mm centre outlet, double entry also available
- > 1000 x 1000mm centre outlet has three tile flanges
- > 1000 x 1000mm centre outlet, double entry also available

## SIZE

### Standard

- > 900 x 900mm rear outlet      a: 150, b: 450mm
- > 900 x 900mm centre outlet      a: 450, b: 450mm
- > 1000 x 1000mm centre outlet      a: 500, b: 500mm
- > 1200 x 900mm centre outlet      a: 450, b: 600mm

### Corner

- > 900 x 900mm centre outlet      a: 330, b: 330, c: 405, d: 700mm
- > 1000 x 1000mm centre outlet      a: 400, b: 400, c: 430, d: 1000mm

### Curved

- > 900 x 900mm centre outlet      a: 350, b: 350mm
- > 1000 x 1000mm rear outlet      a: 150, b: 150mm
- > 1000 x 1000mm centre outlet      a: 405, b: 405mm

## COLOUR

- > White

## MANUFACTURING MATERIALS

- > Sanitary grade acrylic

## GUARANTEE

- > Base comes with a 5 year guarantee. Marbletrend will replace this product, if a fault is shown in manufacturing or materials prior to correct installation. The guarantee does not include removal and installation costs

## DISCLAIMER

The manufacturer/distributor reserves the right to vary specifications or delete models from their range without prior notification. Dimensions and set-outs listed are correct at the time of publication however the manufacturer/distributor takes no responsibility for printing errors.

Toll Free: 1800 902 226  
sales@marbletrend.com.au  
www.marbletrend.com.au