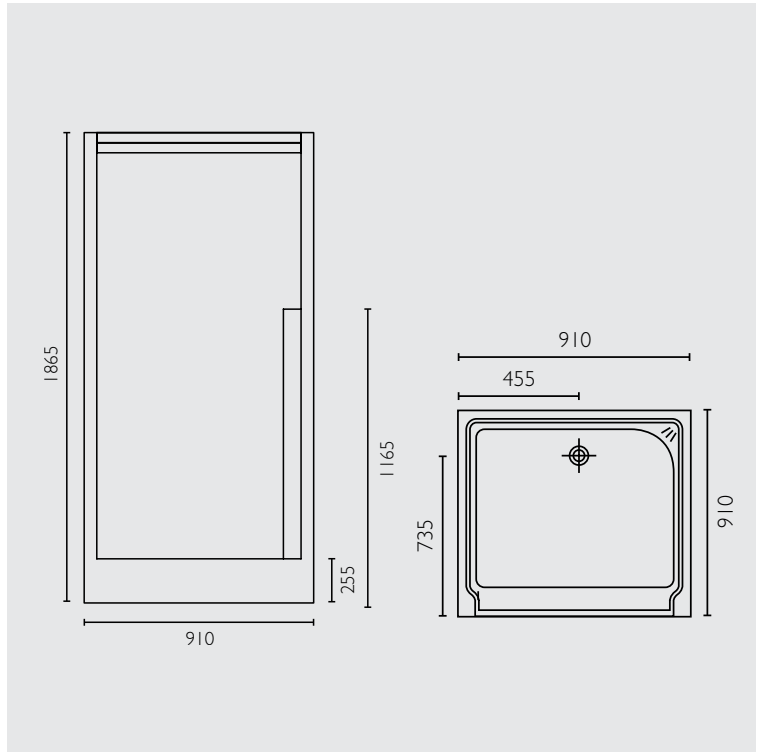


se 26

shower enclosure



FEATURES & BENEFITS

- > One piece construction, leakproof
- > Full size square enclosure
- > High step of 255mm
- > Fully moulded right hand corner soap holder; 1165mm from floor
- > Rear drainage outlet
- > Waste is positioned 735mm from front, 455mm from sides (centre)
- > Comes standard with curtain rail
- > Ideal for portable homes, campervans, etc

SIZES

- > 910mm x 910mm
- > 1865mm high
- > 255mm high step

WASTE

- > 40mm PVC

COLOURS

- > Enclosure - white and ivory
- > Curtain rod - chrome

MANUFACTURING MATERIALS

- > Fully moulded fibreglass unit with smooth acrylic finish

GUARANTEE

- > Enclosure comes with a 12 month guarantee
- > Marbletrend will supply a replacement product where a fault is shown to be caused by faulty manufacture or materials, prior to correct installation.

CODES

- | | |
|--------|----------------------------------|
| SE26AI | A/Ivory H/S with R/H Soap Holder |
| SE26WH | White H/S with R/H Soap Holder |

DISCLAIMER

The manufacturer/distributor reserves the right to vary specifications or delete models from their range without prior notification. Dimensions and set-outs listed are correct at the time of publication however the manufacturer/distributor takes no responsibility for printing errors.

Toll Free: 1800 902 226
sales@marbletrend.com.au
www.marbletrend.com.au