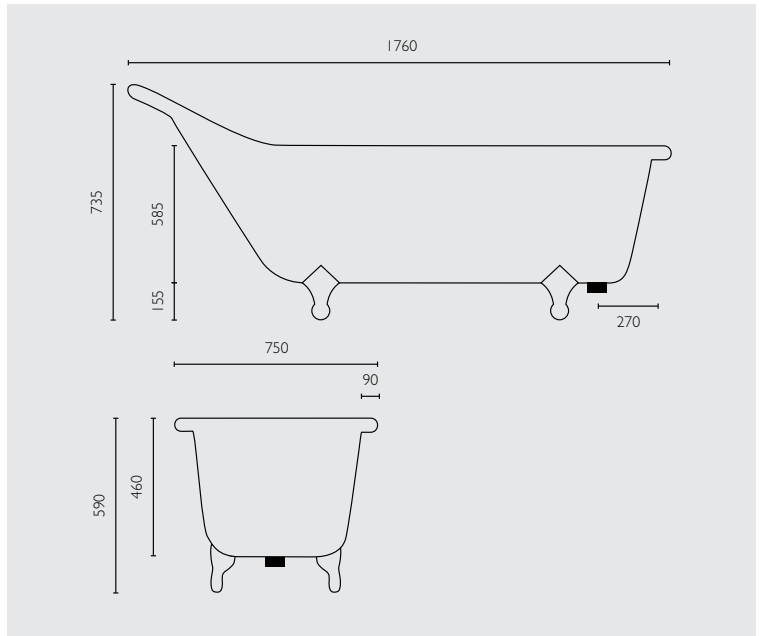


traditional

high back bath - 1760



FEATURES & BENEFITS

- > Classic design
- > Brass or chrome feet available
- > Choice of colour combinations
- > Taps to be wall mounted

SIZES

- > 1760mm x 750mm x 735mm
- > Rim 90mm

COLOURS

- > Internal - White or Ivory
- > External - White, Ivory, Burgundy and Black

WASTE

- > 40mm PVC (not included)

WEIGHT

- > 59kg

VOLUME

- > 200 litres

MANUFACTURING MATERIALS

- > Internal - Acrylic
- > External - Reinforced Fibreglass

GUARANTEE

- > Baths come with a 5 year guarantee
- > Marbletrend will replace this product, if a fault is shown to be caused by faulty manufacturing or materials, prior to correct installation
- > This guarantee does not include removal and installation costs

CODES

HBWHBLB	White Int/Black Ext Brass Feet
HBWHBLC	White Int/Black Ext - Chrome Feet
HBWHBUB	White Int/Burgundy Ext Brass Feet
HBWHBUC	White Int/Burgundy Ex. Chrome Feet
HBWHWHB	White Int/White Ext Brass Feet
HBWHWHC	White Int/White Ext - Chrome Feet
HBIVBUB	Ivory Int/Burgundy Ext Brass Feet
HBIVBUC	Ivory Int/Burgundy Ex. Chrome Feet

DISCLAIMER

The manufacturer/distributor reserves the right to vary specifications or delete models from their range without prior notification. Dimensions and set-outs listed are correct at the time of publication however the manufacturer/distributor takes no responsibility for printing errors.

Toll Free: 1800 902 226
sales@marbletrend.com.au
www.marbletrend.com.au