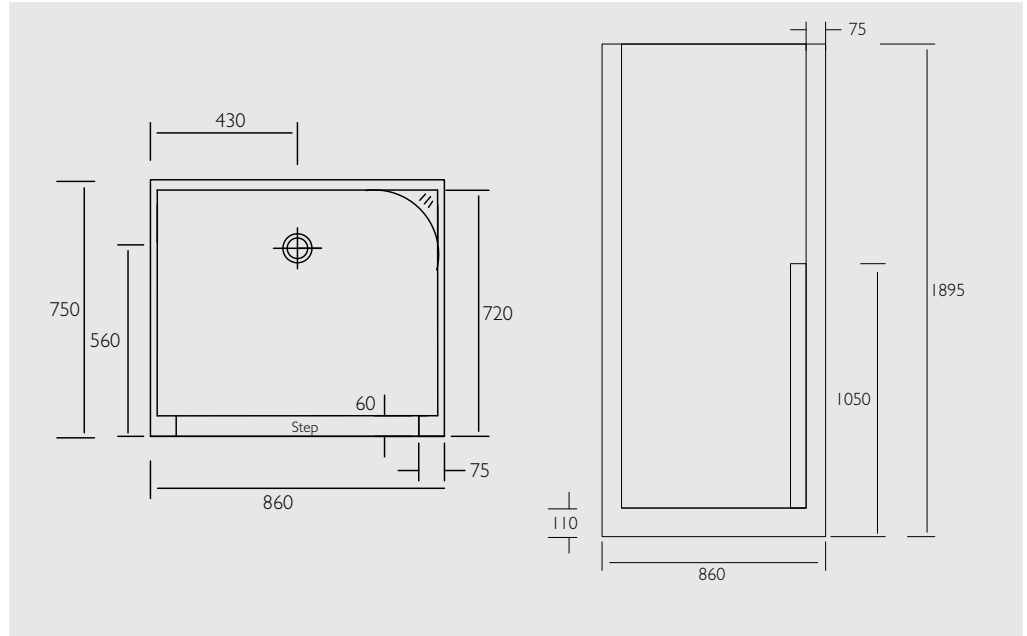


se 5

shower enclosure



FEATURES & BENEFITS

- > One piece construction, leakproof
- > Standard 3 sided enclosure
- > Rear drainage outlet
- > Waste is positioned 560mm from front, 430mm from sides (centre)
- > Comes standard with curtain rail and anti skid floor
- > Ideal for portable homes, campervans, etc

SIZES

- > 860mm x 750mm
- > 1895mm high
- > 110mm low step

WASTE

- > 80mm x 50mm PVC

COLOURS

- > Enclosure - White or Ivory
- > Custom Rod - Chrome

MANUFACTURING MATERIALS

- > Fully moulded fibreglass unit with smooth acrylic finish

GUARANTEE

- > Enclosure comes with a 12 month guarantee
- > Marbletrend will supply a replacement product where a fault is shown to be caused by faulty manufacture or materials, prior to installation

PRODUCT CODES

| Code | SE05 Description |
|--------|--------------------------|
| SE05AI | SE05 862x750 A/Ivory L/S |
| SE05WH | SE05 862x750 White L/S |

DISCLAIMER

The manufacturer/distributor reserves the right to vary specifications or delete models from their range without prior notification. Dimensions and set-outs listed are correct at the time of publication however the manufacturer/distributor takes no responsibility for printing errors.

Toll Free: 1800 902 226
sales@marbletrend.com.au
www.marbletrend.com.au