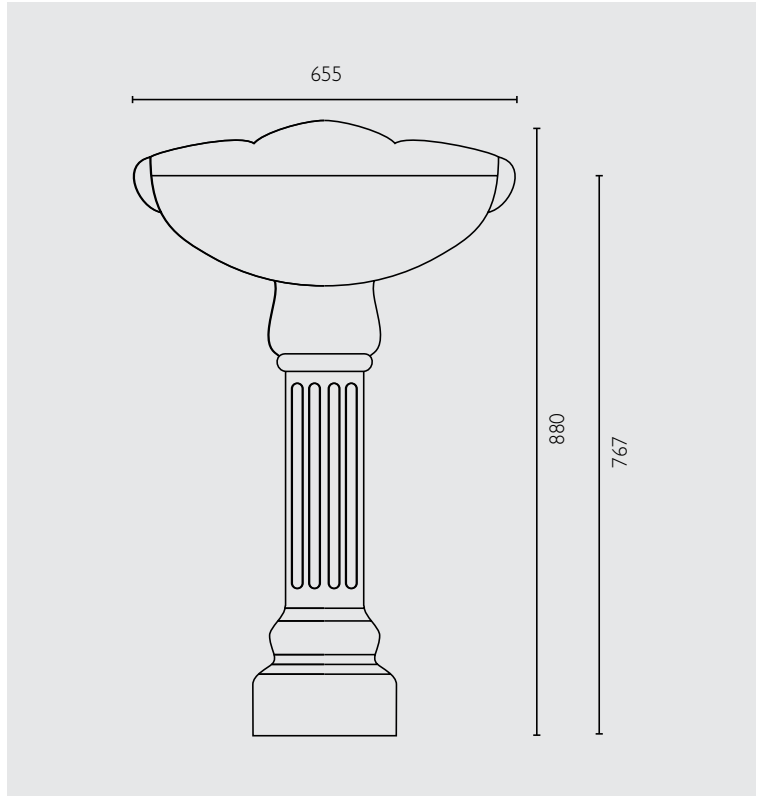


westminister

pedestal basin



FEATURES AND BENEFITS

- > Unique features include a large functional bowl with two soap holders
- > Large sculptured splash back
- > 3 taphole only
- > Traditional design

SIZES

- > 655 W x 505 D x 880mm H

WASTE

- > 40mm (not included)

COLOURS

- > White

MANUFACTURING MATERIALS

- > Vitreous China

GUARANTEE

- > Westminister pedestal basin comes with a 12 month guarantee
- > Marbletrend will supply a replacement top where a fault is shown to be caused by faulty manufacture or materials, prior to correct installation
- > Guarantee dose not include removal and installation cost

CODES

- | | |
|----------|---|
| BW24A1CW | Westminister Wall Basin 655x505 White 3TH |
| WEWH24S | Westminister Pedestal White |

DISCLAIMER

The manufacturer/distributor reserves the right to vary specifications or delete models from their range without prior notification. Dimensions and set-outs listed are correct at the time of publication however the manufacturer/distributor takes no responsibility for printing errors.

Toll Free: 1800 902 226
sales@marbletrend.com.au
www.marbletrend.com.au