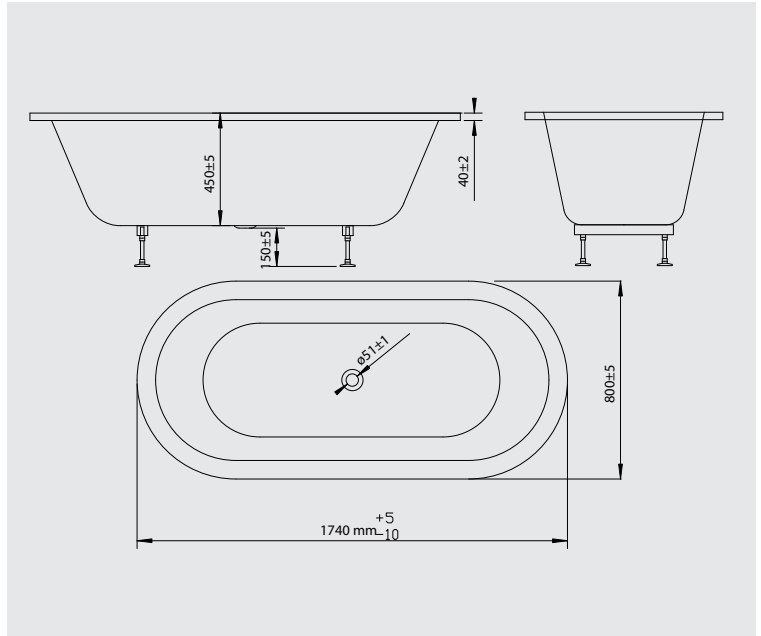


# merge

1750 island bath



MARBLETREND



## FEATURES & BENEFITS

- > Island bath
- > Centre waste
- > No mortar bed required for support
- > Rounded corners enables the creation of a modern island design
- > Freestanding option available
- > Smooth lines for easy cleaning

## SIZE

- > 1750mm x 800mm x 450mm (d)
- > Rim 80mm

## COLOURS

- > White only

## VOLUME

- > 250 litres

## WASTE

- > 40mm (not included)

## WEIGHT

- > 24kg

## MANUFACTURING MATERIALS

- > Acrylic

## GUARANTEE

- > Baths come with a 5 year guarantee
- > Marbletrend will replace this product, if a fault is shown to be caused by faulty manufacturing or materials, prior to correct installation
- > This guarantee does not include removal and installation costs

## CODES

BMWHWH Merge 1750 Island Bath

## DISCLAIMER

The manufacturer/distributor reserves the right to vary specifications or delete models from their range without prior notification. Dimensions and set-outs listed are correct at the time of publication however the manufacturer/distributor takes no responsibility for printing errors.

Toll Free: 1800 902 226  
sales@marbletrend.com.au  
www.marbletrend.com.au