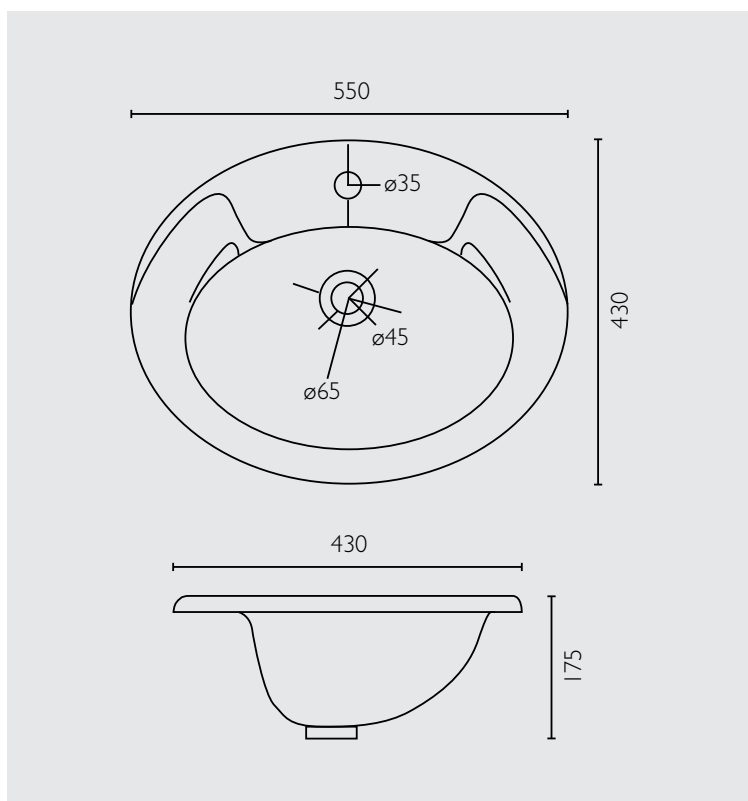


# balwyn

basin



## FEATURES AND BENEFITS

- > A classical design self-rimming drop in vanity basin, incorporating a large bowl with geometric smooth rounded contours for ease of cleaning
- > Scalloped edge drop in basin
- > 1 or 3 taphole
- > Simple design

## SIZES

- > 550mm x 430mm
- > Internal bowl depth - 140mm

## WASTE

- > 40mm (not included)

## COLOURS

- > White

## MANUFACTURING MATERIALS

- > Vitreous China

## GUARANTEE

- > Balwyn basin comes with a 12 month guarantee
- > Marbletrend will supply a replacement basin where a fault is shown to be caused by faulty manufacture or materials, prior to correct installation
- > Guarantee dose not include removal and installation cost

## CODES

- |            |                                    |
|------------|------------------------------------|
| BC40A   CW | Balwyn 550x440 White 3th Vit China |
| BC40C   CW | Balwyn 550x440 White 1th Vit China |

## DISCLAIMER

The manufacturer/distributor reserves the right to vary specifications or delete models from their range without prior notification. Dimensions and set-outs listed are correct at the time of publication however the manufacturer/distributor takes no responsibility for printing errors.

Toll Free: 1800 902 226  
sales@marbletrend.com.au  
www.marbletrend.com.au