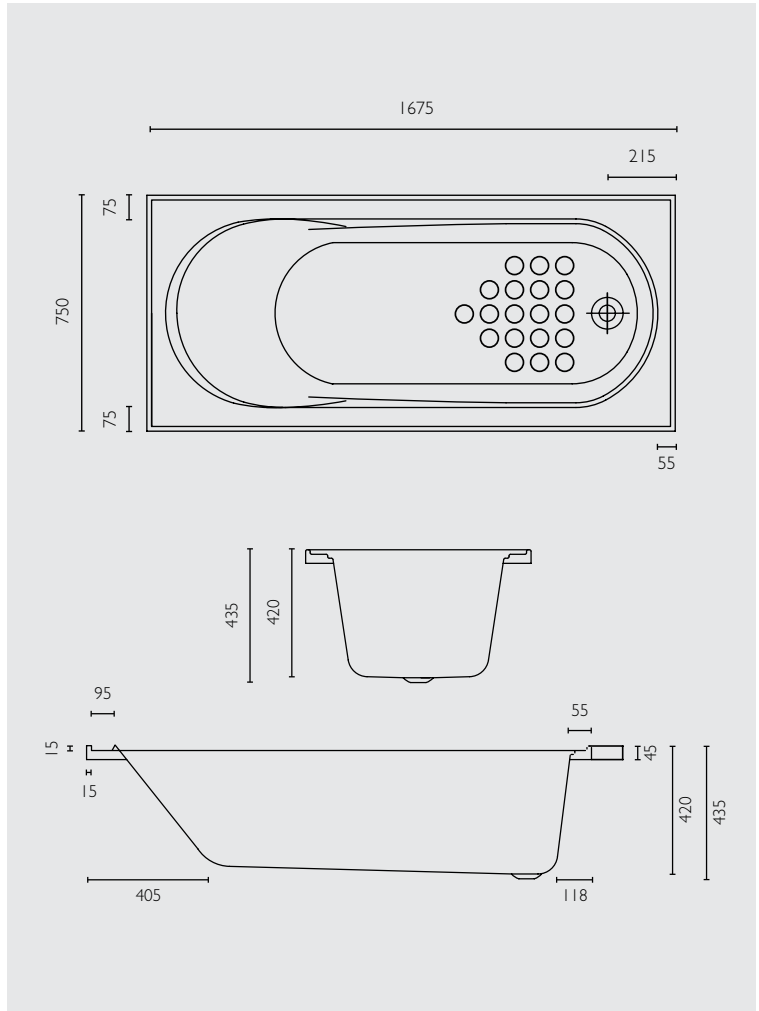


concept

1675 inset bath



FEATURES & BENEFITS

- > Classic simple design
- > The support feet mean that this product does not require a mortar bed, by having the support feet you can simply silicone the bath directly to the floor
- > Concept bath takes a 40mm plug and a waste (not supplied)
- > No provision for tap holes on the bath
- > The concept bath is deeper and wider than the project bath
- > Internal arm rest supports for your comfort

SIZES

- > 1675mm x 750mm x 420mm
- > Rim 75mm

COLOURS

- > White only

VOLUME

- > 230 litres

WASTE

- > 40mm (not included)

WEIGHT

- > 35kg

MANUFACTURING MATERIALS

- > Acrylic self supported bath with anti skid surface
- > This is an acrylic backed bath with fibreglass and an MDF support pad and support feet

GUARANTEE

- > Baths come with a 5 year guarantee
- > Marbletrend will replace this product, if a fault is shown to be caused by faulty manufacturing or materials, prior to correct installation
- > This guarantee does not include removal and installation costs

CODES

BCWHWH Concept 1675x760x420mm D White

DISCLAIMER

The manufacturer/distributor reserves the right to vary specifications or delete models from their range without prior notification. Dimensions and set-outs listed are correct at the time of publication however the manufacturer/distributor takes no responsibility for printing errors.

Toll Free: 1800 902 226
sales@marbletrend.com.au
www.marbletrend.com.au