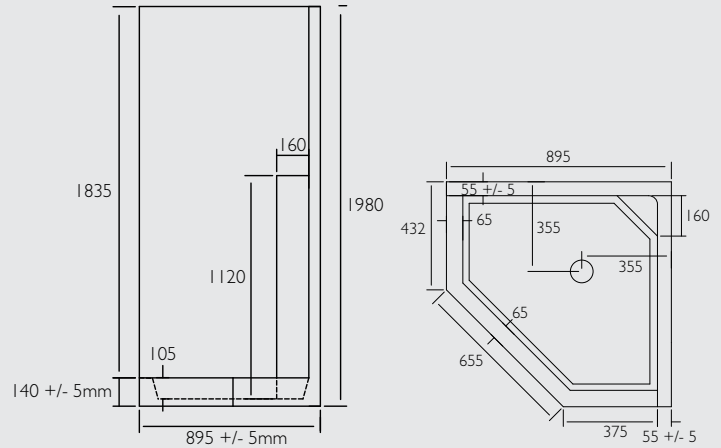


se35

shower enclosure



FEATURES & BENEFITS

- > One piece construction, leakproof
- > Versatile corner enclosure
- > Fully moulded central soap holder, 1145mm from floor
- > Corner drainage outlet
- > Waste is positioned at the rear
- > Comes standard with curtain rail
- > 12 month warranty

SIZES

- > 895mm x 895mm
- > 1980mm high
- > 140mm low step

WASTE

- > 80mm x 50mm PVC

COLOURS

- > Enclosure - white and ivory
- > Curtain rod - chrome

MANUFACTURING MATERIALS

- > Fully moulded fibreglass unit with smooth acrylic finish

GUARANTEE

- > Enclosure comes with a 12 month guarantee
- > Marbletrend will supply a replacement product where a fault is shown to be caused by faulty manufacture or materials, prior to correct installation.

CODES

SE35AI	920x920 A/Ivory L/S
SE35WH	920x920 White L/SS

DISCLAIMER

The manufacturer/distributor reserves the right to vary specifications or delete models from their range without prior notification. Dimensions and set-outs listed are correct at the time of publication however the manufacturer/distributor takes no responsibility for printing errors.

Toll Free: 1800 902 226
sales@marbletrend.com.au
www.marbletrend.com.au