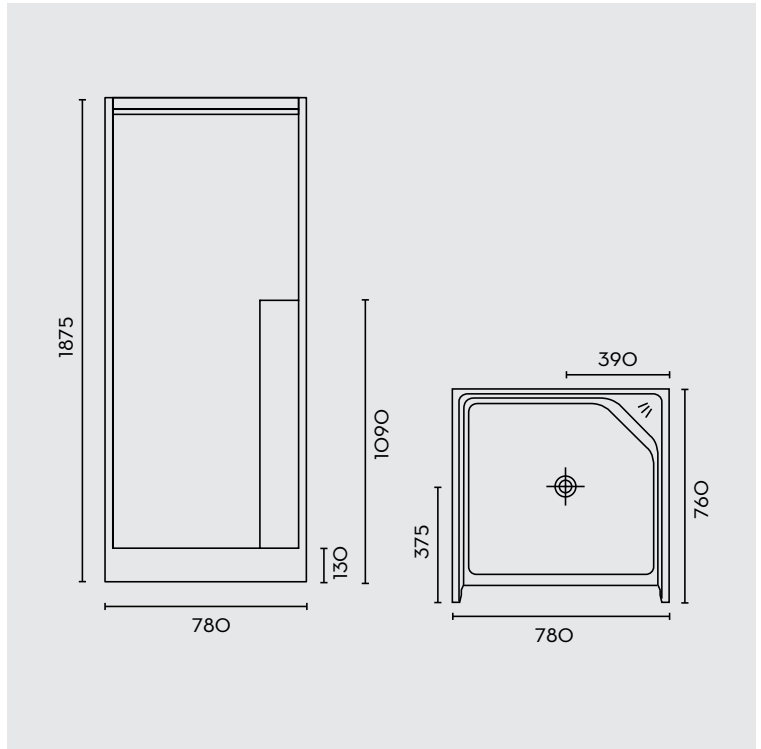


# se 2

shower enclosure



## FEATURES & BENEFITS

- > One piece construction, leakproof
- > Ideal for smaller bathrooms or mobile homes
- > Compact 3 sided enclosure
- > Fully moulded corner soap holder which is 1090mm from floor
- > Centre drainage outlet
- > Waste is positioned 375mm from front and 390mm from sides
- > Comes standard with curtain rail
- > Ideal for portable homes, campervans, etc

## SIZES

- > 780mm x 770mm
- > 1875mm high
- > 130mm low step

## WASTE

- > 40mm PVC

## COLOURS

- > Enclosure - White
- > Curtain rod - Chrome

## MANUFACTURING MATERIALS

- > Fully moulded fibreglass unit with smooth acrylic finish

## GUARANTEE

- > Enclosure comes with a 12 month guarantee
- > Marbletrend will supply a replacement product where a fault is shown to be caused by faulty manufacture or materials, prior to correct installation.

## CODES

- |        |                                |
|--------|--------------------------------|
| SE02AI | 780x760 A/Ivory L/S            |
| SE02WH | 780x760 White L/S installation |

## DISCLAIMER

The manufacturer/distributor reserves the right to vary specifications or delete models from their range without prior notification. Dimensions and set-outs listed are correct at the time of publication however the manufacturer/distributor takes no responsibility for printing errors.

Toll Free: 1800 902 226  
sales@marbletrend.com.au  
www.marbletrend.com.au