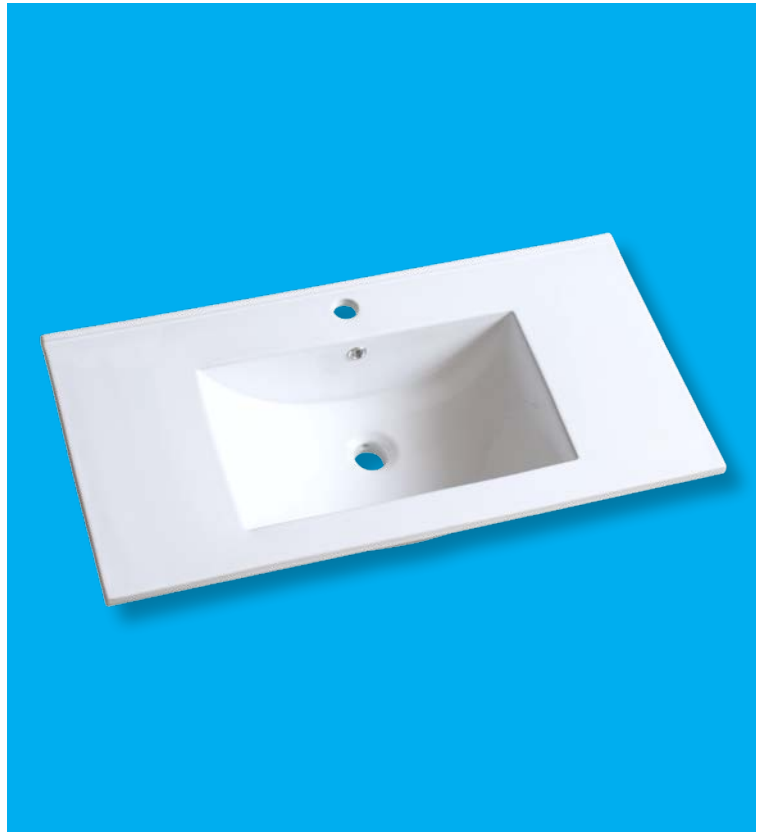


carra 750

vanity



FEATURES & BENEFITS

- > Soft Closing Doors
- > 2 setup options, Kicker (flatpack) or Adjustable Chrome Legs
- > Vitreous China Top (Comes in separate box)
- > Finger Pull Handle
- > Full Gloss Vanity
- > 2 large drawers
- > 12 month Warranty

SIZE

- > 750 W x 822 H x 460mm D

COLOUR

- > White

COMPONENTS

- > 2 drawers 1 door

TAPHOLES

- > 1 or 3

MANUFACTURING MATERIALS

- > Cabinet 2 Pak finish
- > Vitreous China Top (not included)

GUARANTEE

- > Vanity: 12 month warranty.
- > Marbletrend will supply a replacement product where a fault is shown to be caused by faulty manufacture or materials, prior to installation

TECHNICAL SPECIFICATIONS

- > Over the page

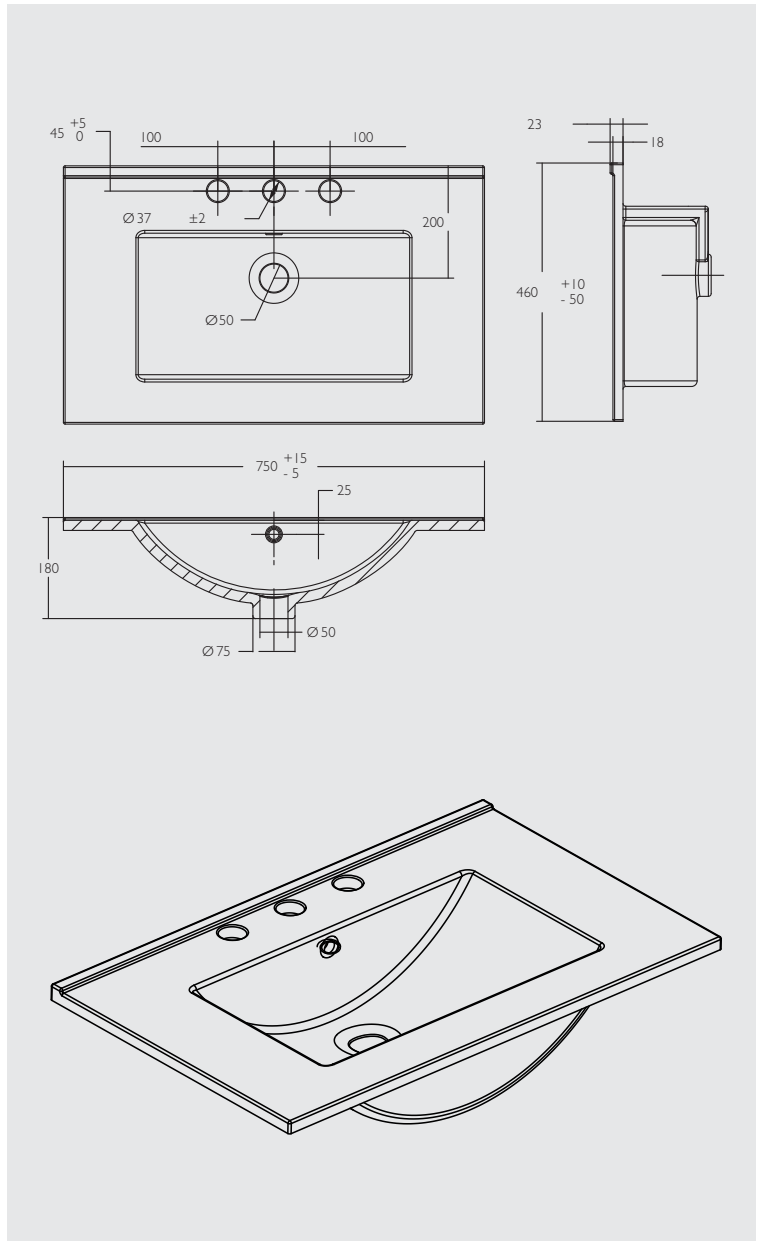
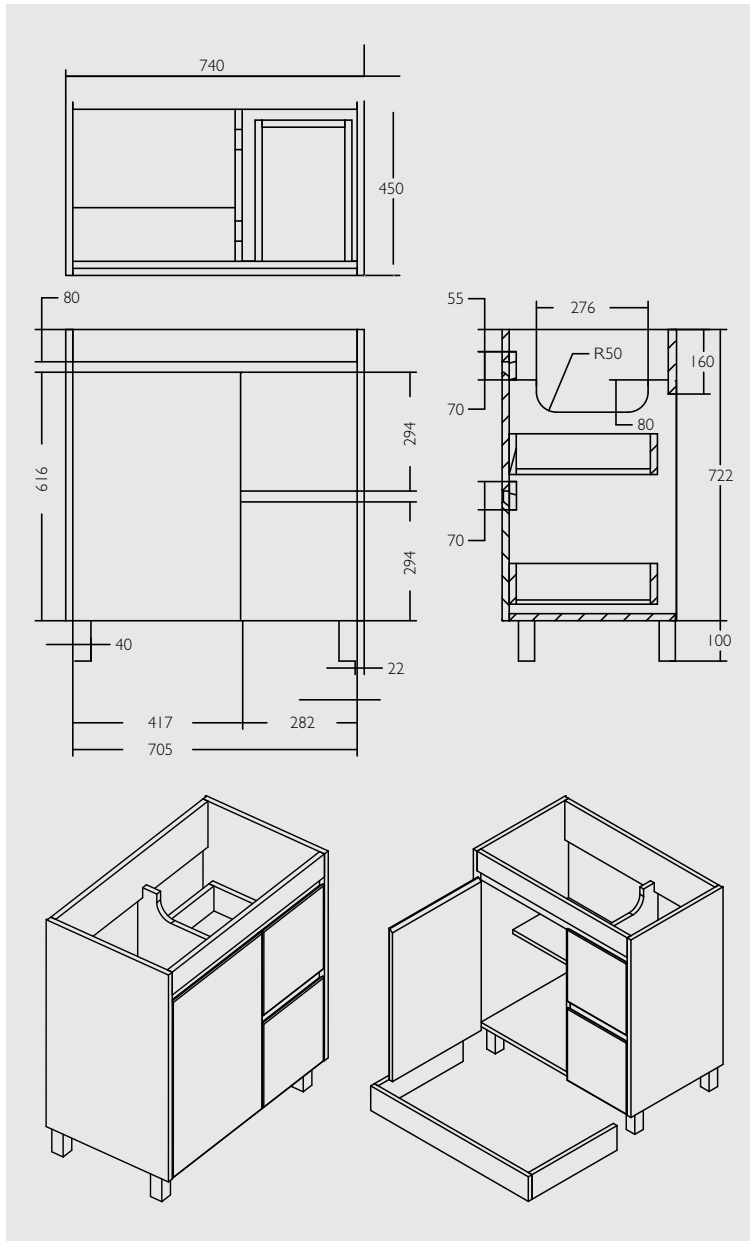
DISCLAIMER

The manufacturer/distributor reserves the right to vary specifications or delete models from their range without prior notification. Dimensions and set-outs listed are correct at the time of publication however the manufacturer/distributor takes no responsibility for printing errors.

Toll Free: 1800 902 226
sales@marbletrend.com.au
www.marbletrend.com.au

carra 750

vanity



DISCLAIMER

The manufacturer/distributor reserves the right to vary specifications or delete models from their range without prior notification. Dimensions and set-outs listed are correct at the time of publication however the manufacturer/distributor takes no responsibility for printing errors.

Toll Free: 1800 902 226
sales@marbletrend.com.au
www.marbletrend.com.au