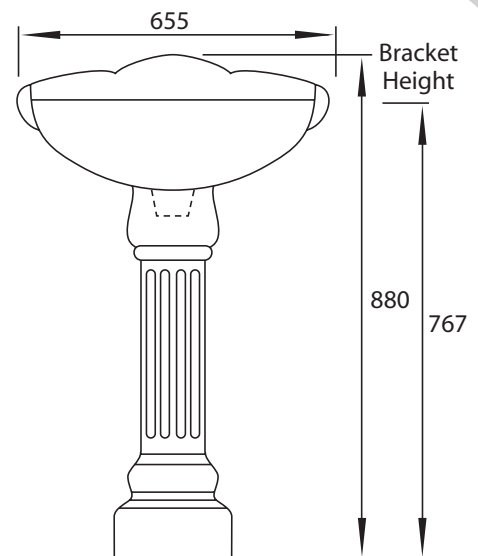
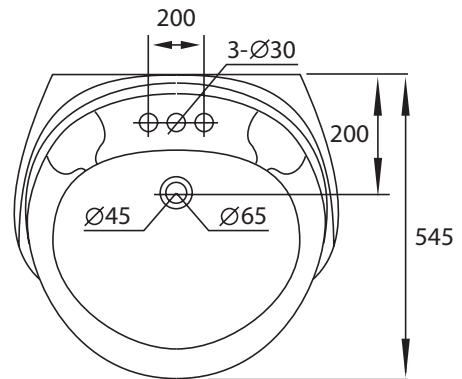


WESTMINSTER PEDESTAL AND BASIN

1. Ensure a stud or Noggin is available for the fixing brackets, if fixing to a solid block wall it is recommended to use 6mm dynabolts.
2. Measure fixing bracket holes and fix supplied bracket to wall at 767mm from the floor.
3. If waste is going through the floor, the set out is 200mm from back wall.
4. Place Pedestal in correct position and carefully place basin over pedestal and fixing brackets.
5. Secure with wing nuts supplied.
6. Fit off all plumbing fittings and tapware.

Please inspect your new Pedestal and basin, as no claim will be accepted after installation.
All measurements are in millimetres.



MARBLETREND *

Bathroom Industries

