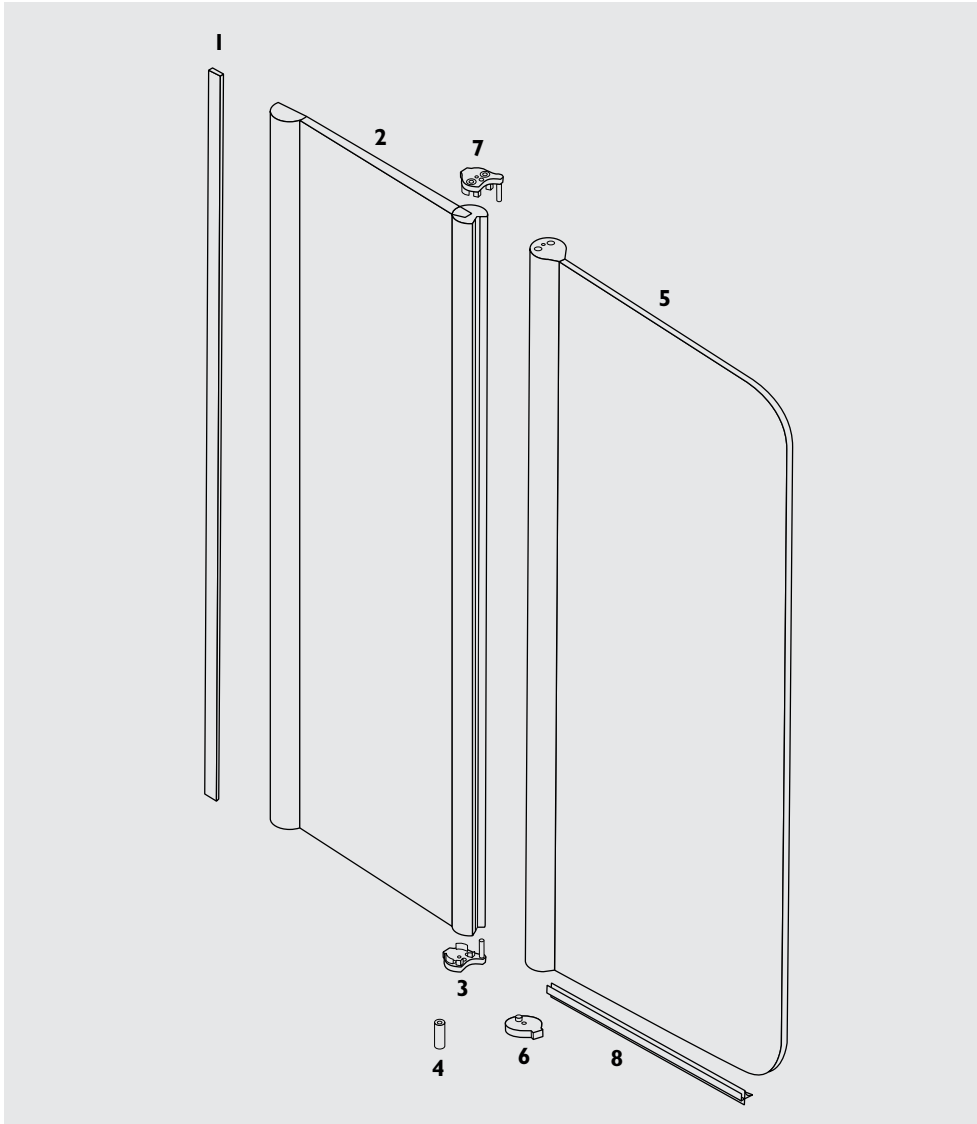


# trend fix'n'fold bath screen installation instructions



- 1. 1 x WALL JAMB
- 2. 1 x FIXED DOOR
- 3. 1 x BOTTOM AXIS BRACKET
- 4. 1 x AXIS CAP
- 5. 1 x TURNABLE DOOR
- 6. 1 x OUTER RUBBER BRACKET
- 7. 1 x TOP AXIS BRACKET
- 8. 1 x RUBBER SPLASH GUARD



3 x 35mm WALL JAMB SCREW (1 X SPARE PART)

4 x 16mm AXIS BRACKET SCREW (1 X SPARE PART)

3 x WALL PLUG (1 X SPARE PART)

3 x 8mm DOOR POST SCREW (1 X SPARE PART)



1 x 8mm RUBBER BRACKET SCREW (1 X SPARE PART)



3 x WASHERS (1 X SPARE PART)



1 X AXIS CAP



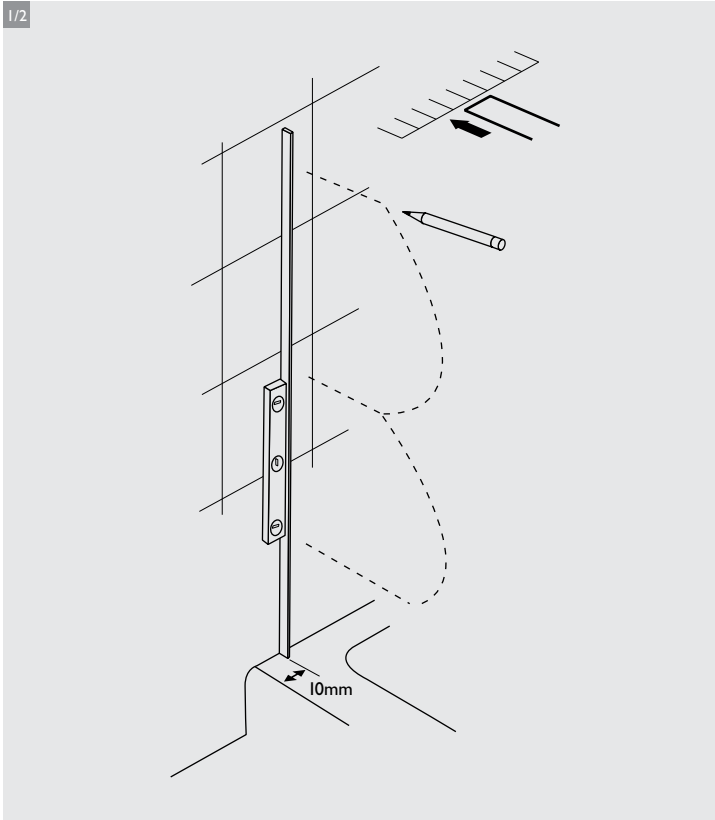
1 x AXIS BRACKET



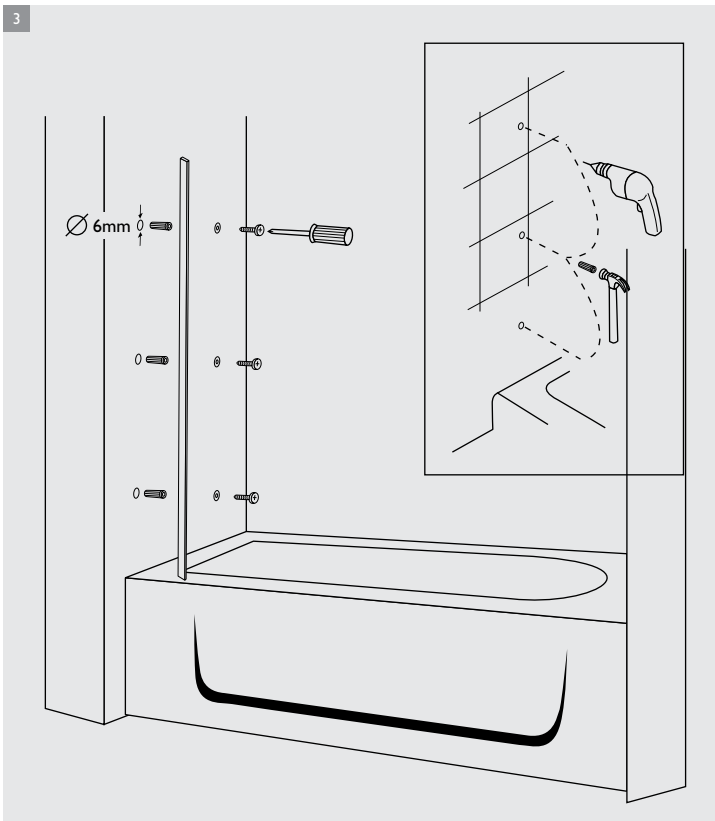
1 x AXIS BRACKET



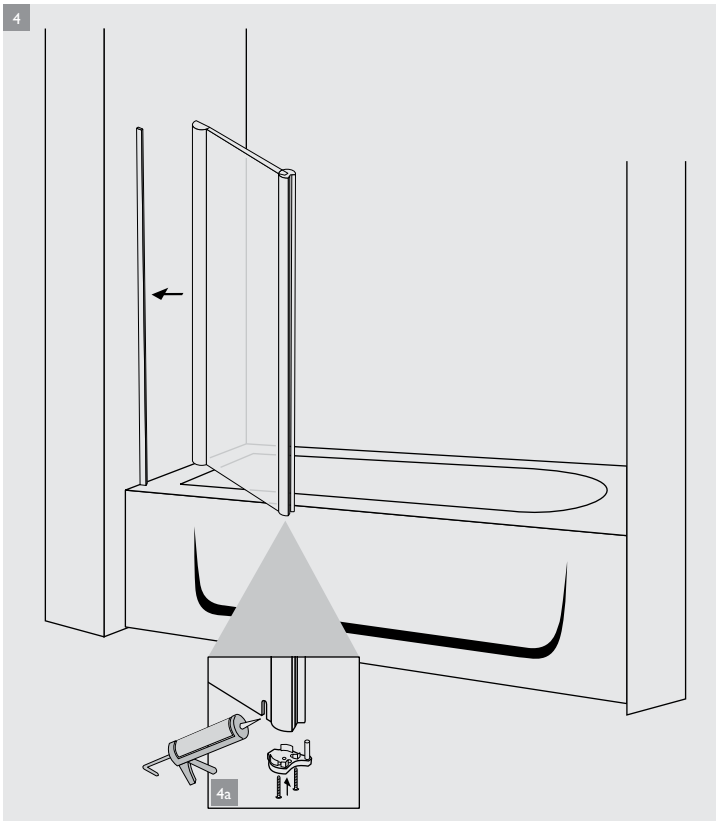
1 x RUBBER BRACKET



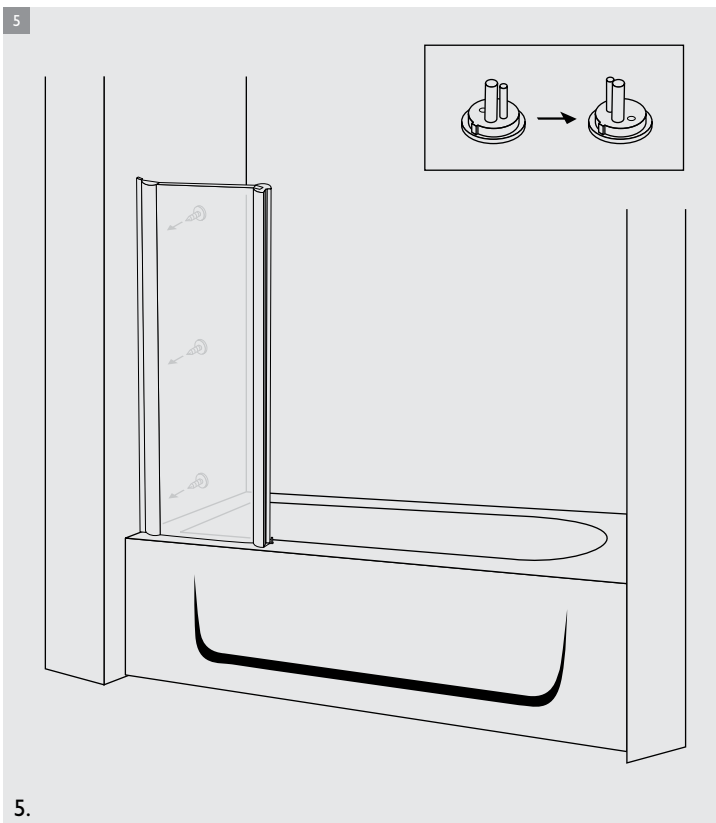
1. Position the wall jamb (1) inside the bath tile lip, or if the bath does not have a lip, measure in 10mm from edge and 2mm up from the bath.
2. Using a spirit level, ensure wall jamb (1) is plumb. Mark position of holes and fix to stud or noggins. If stud or noggin is not available use toggle bolts (not supplied).



3. Using a suitable 6mm drill bit, drill holes and fit wall plugs. Fix wall jamb (1) to wall using screws (35mm) and washers provided.

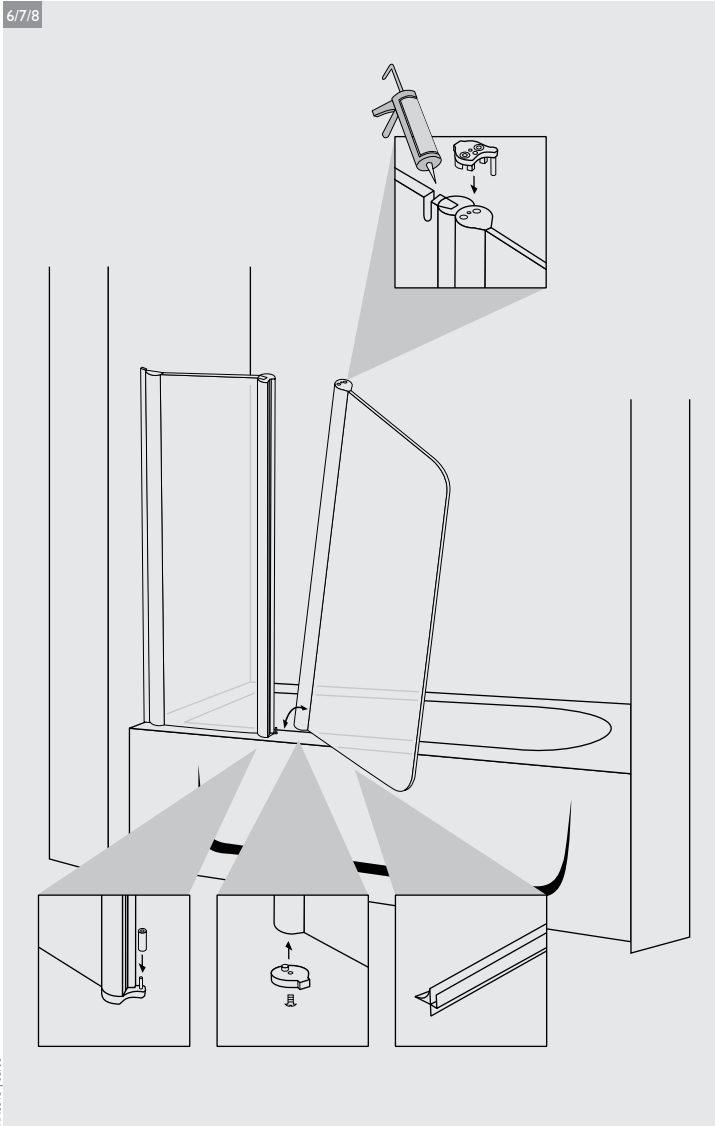


4. To ensure correct action of the bath screen, select appropriate axis bracket (3 or 7) - when fitted, the pin of the axis bracket must be positioned to the inside of the screen, if you prefer the leading door(5) to swing inwards. If you prefer the leading door (5) to swing outwards the pin of the axis bracket must be positioned to the outside of the screen.
- 4a. Apply a small amount of silicone to the slot in the glass and select the appropriate axis bracket fix to the underside of the fixed panel (2) with screws (16mm) provided.



5. Position fixed panel (2) over wall jamb (1) and fix with screws provided (8mm).  
Note: adjustment of the fixed panel may be required once screen is fully assembled. The elongated holes in the wall jamb allow for the screen to be adjusted so the correct operation can be achieved.

The Trend Fix 'n' Fold Bath Screen may be reversed for either left or right installation by simply interchanging the top and bottom axis brackets.



6. **CAUTION** – it is advisable at this stage to have a second person help install the outer door panel. Place axis cap (4) over axis bracket (3). Fit rubber bracket (6) to bottom of door panel with screws (8 mm) provided. Apply a small amount of silicone to the slot in the glass panel. Lift and place door panel (5) over bottom axis bracket (3), line up door panel (5) with fixed panel (2) and install top axis bracket (7) with screws provided (16mm). Note: the rubber brackets are provided to protect your bath from damage during and after installation. Failure to install these brackets will increase the likelihood of your bath being marked or scratched.
7. Apply a bead of silicone to both the inside and outside of the wall jamb/wall interface, also outside bottom of fixed panel.
8. If required, cut rubber splash guard (8) to size and install on the bottom of outer door panel.

Note: the rubber splash guard has been designed to clear the tile lip of the bath when the screen is used in the bi-fold action. If the bath does not have a tile flange, simply push the splash guard down onto the bath surface to achieve a watertight finish. Doing this will also keep the bath screen in a straight line.