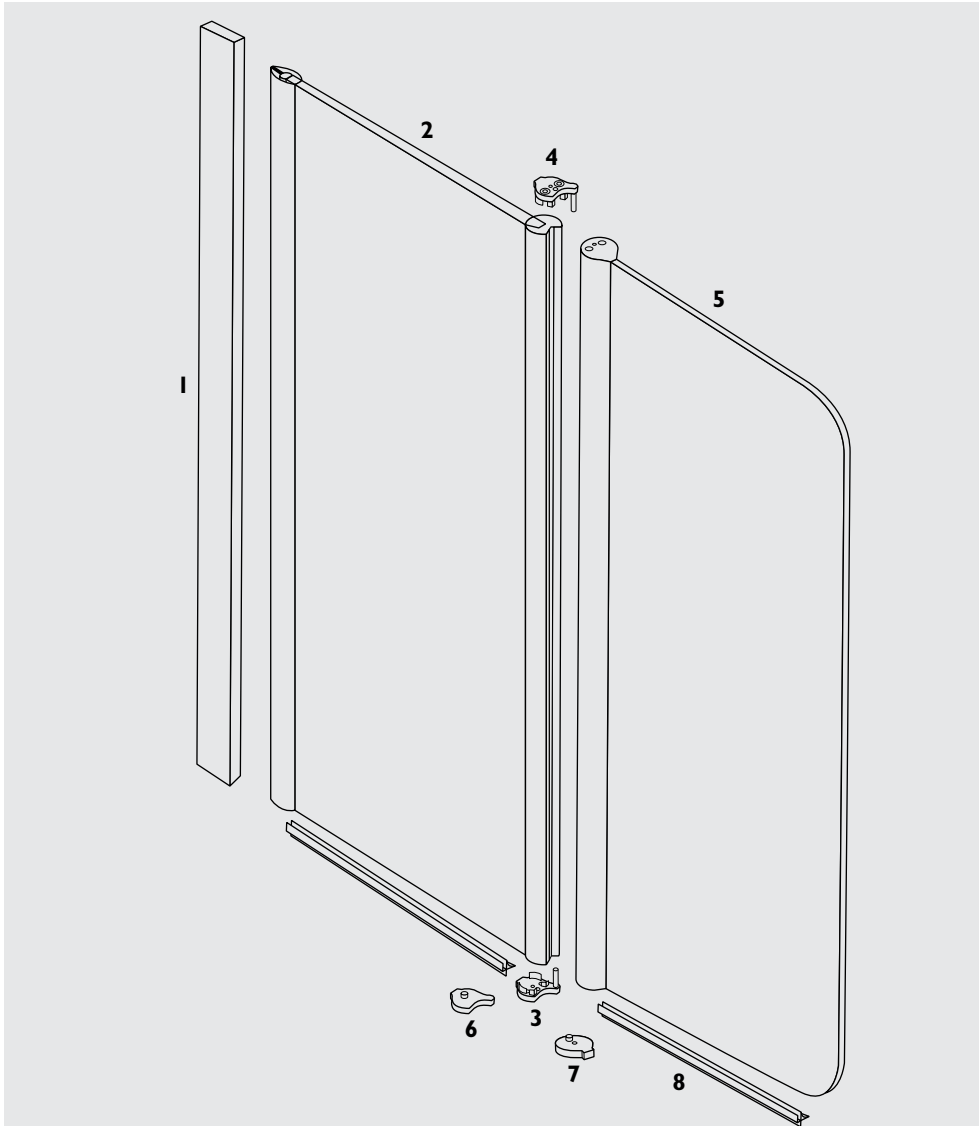


trend bi-fold bath screen installation instructions



1. 1 x WALL JAMB
2. 1 x INNER DOOR PANEL
3. 1 x BOTTOM AXIS BRACKET
4. 1 x TOP AXIS BRACKET
5. 1 x OUTER DOOR PANEL
6. 1 x INNER RUBBER BRACKET
7. 1 x OUTER RUBBER BRACKET
8. 2 x RUBBER SPLASH GUARDS



3 x 35mm WALL JAMB SCREW (1 X SPARE PART)

4 x 16mm AXIS BRACKET SCREW (1 X SPARE PART)

3 x WALL PLUG (1 X SPARE PART)

3 x 8mm WALL JAMB SCREWS



2 x 8mm RUBBER BRACKET SCREW (1 X SPARE PART)



3 x WASHERS (1 X SPARE PART)



1 x ALLEN KEY



1 x RUBBER BRACKET (1 X SPARE PART)



1 x AXIS BRACKET

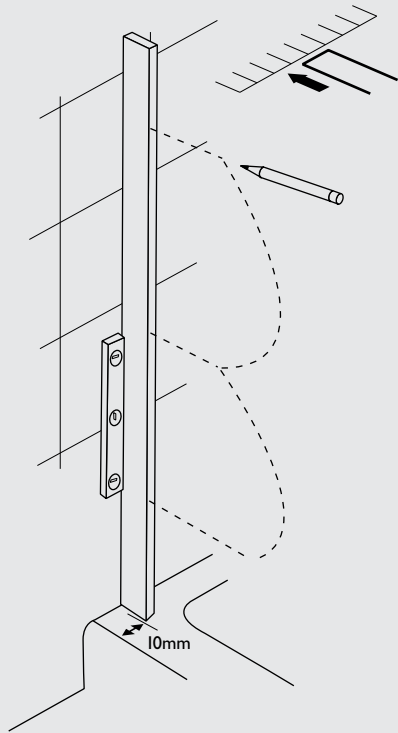


1 x AXIS BRACKET



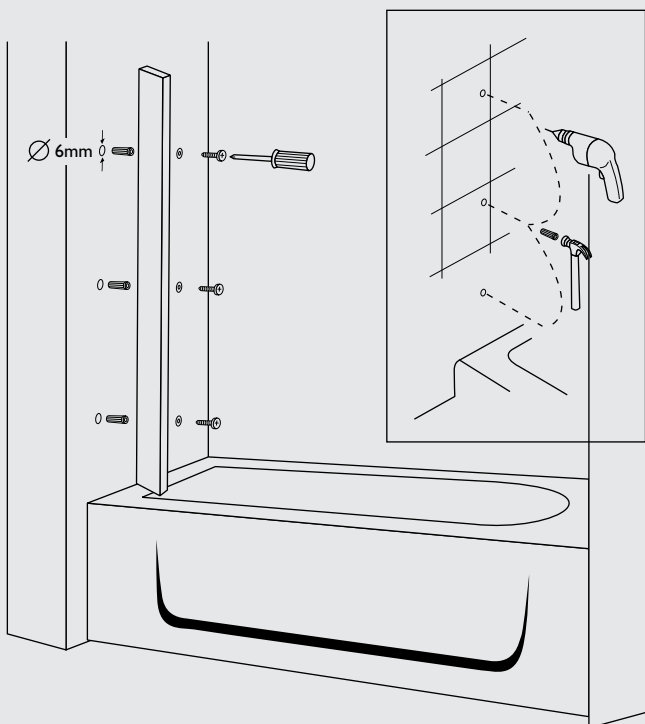
1 x RUBBER BRACKET

1/2

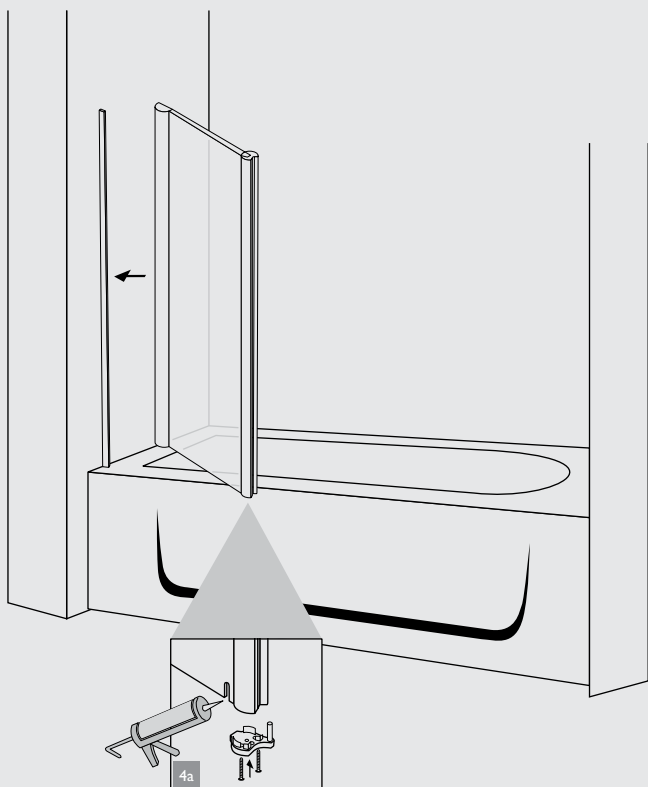


1. Position the wall jamb (1) inside the bath tile lip, or if the bath does not have a lip, measure in 10mm from edge of bath.
2. Using a spirit level, ensure wall jamb (1) is plumb. Mark position of holes and fix to stud or noggins. If stud or noggin is not available use toggle bolts (not supplied).

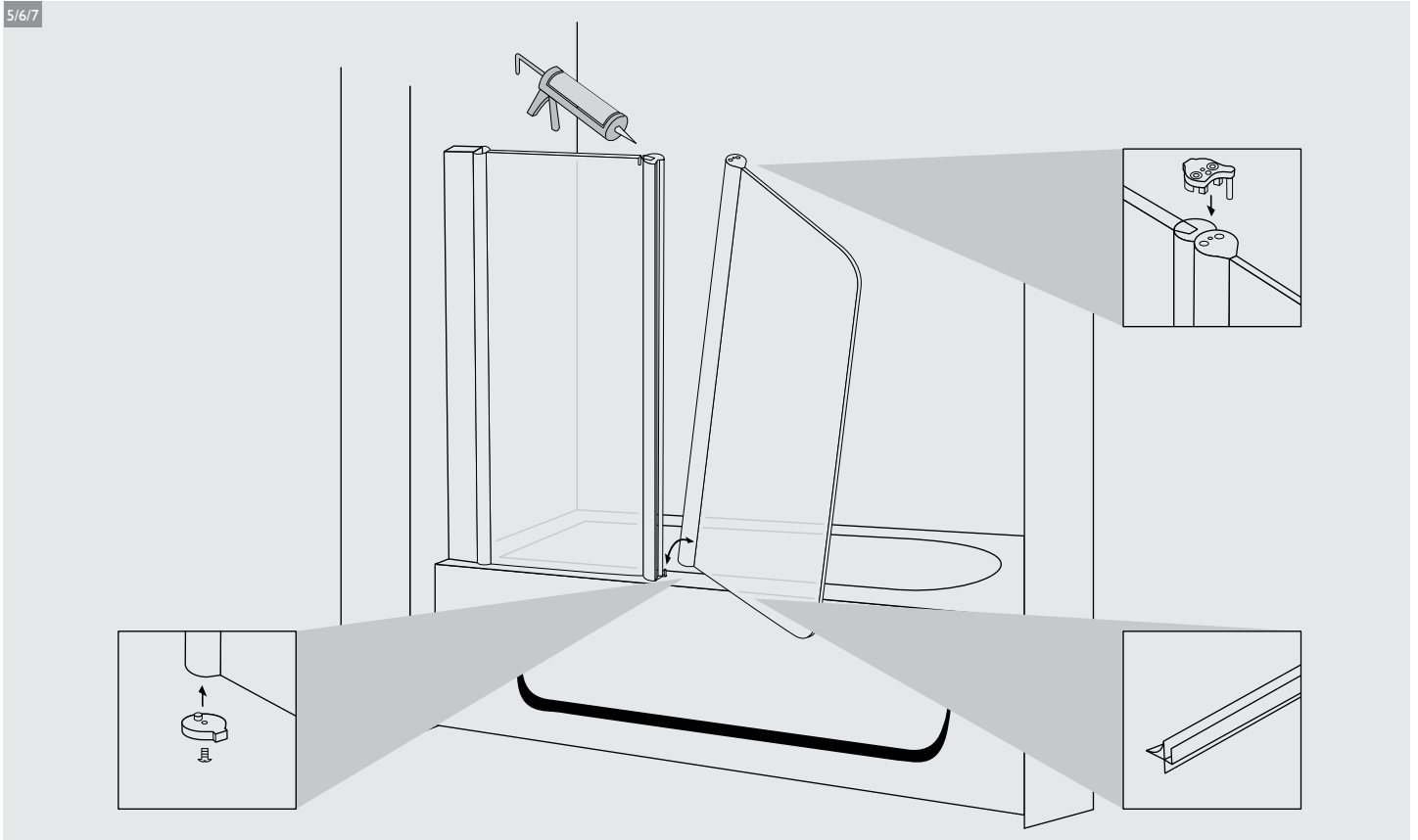
3



3. Using a suitable 6mm drill bit, drill holes and fit wall plugs. Fix wall jamb (1) to wall using screws (35mm) and washers provided.



4. Position inner door panel (2) into wall jamb (1). Ensure inner panel (1) is plumb, drill and fix inner panel (1) to wall jamb with screws provided.
- 4a. Apply a small amount of silicone to the slot in the glass and select the appropriate axis bracket. (Note: the pin on the axis bracket should be inside of screen) Fix to underside of inner panel (1) with screw provided (16mm).



5. **CAUTION** – it is advisable at this stage to have a second person help install the outer door panel. Apply a small amount of silicone to the slot in the glass. Lift and place the outer door panel (5) over bottom axis pin (3) and line up with inner door panel (2). Install top axis bracket (4) and fix with screws (16mm) provided. Fix outer rubber bracket (7) to the underside of the outer panel using screws (8mm) provided. Note: the rubber brackets are provided to protect your bath from damage during and after installation. Failure to install these brackets will increase the likelihood of your bath being marked or scratched.
6. Apply a bead of silicone to both the inside and outside of the wall jamb/wall interface.
7. If required, cut rubber splash guard (8) to size and install on the bottom of both door panels. Note: the rubber splash guard has been designed to clear the tile lip of the bath when the screen is used in the bi-fold action. If the bath does not have a tile flange, simply push the splash guard down onto the bath surface to achieve a watertight finish. Doing this will also keep the bath screen in a straight line.