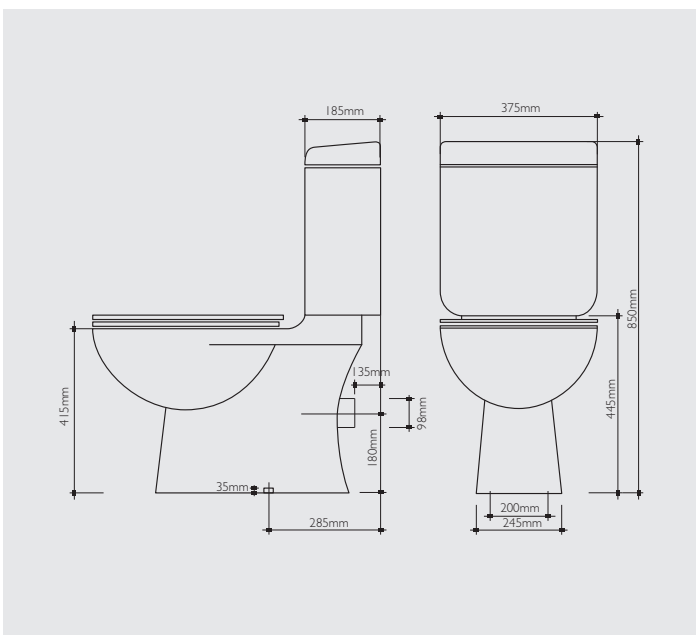
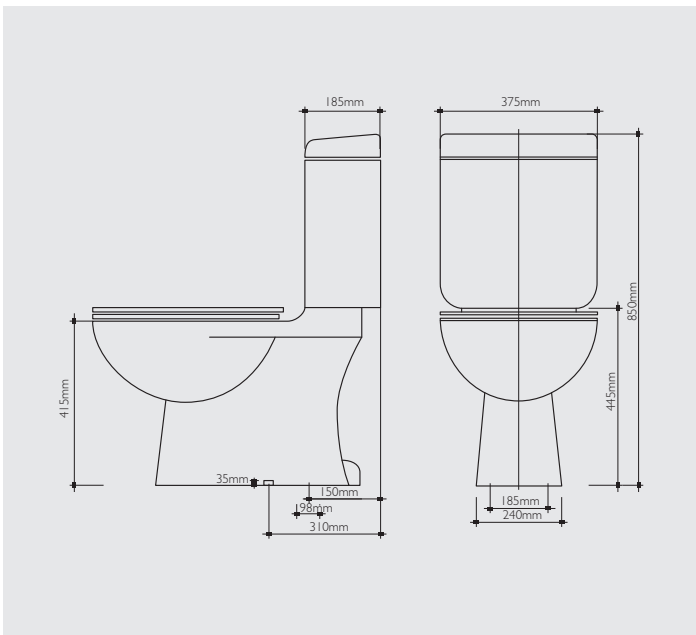




MARBLETRENDS

sian





Please inspect your new toilet suite before installation
No claims will be accepted after the installation is completed

Contents: Pan, Cistern, Seat, Cistern Bolts, Cistern Rubber; Pan fixing bracket

Rough in

S Trap requires a 150mm centre setout from finished plaster or 160mm from stud. P Trap requires a 180mm centre setout from finished floor.

Pan installation using screw fixing

1. Place pan in position ensuring the pan outlet is connected to pan collar and in finished position.
2. Mark location of pan fixing holes through base of pan to existing floor; then remove pan.
3. Drill holes in marked positions in floor; to suit required screws (pan screws are not included)
4. Apply a bead of silicon sealant to the underside rim of pan. Re-position over pan collar and fix pan with screws (do not over tighten)

Pan installation using mortar bed

1. Remove an area of tiles under pan
2. Ensure floor area is clean to allow for mortar bed to bond correctly
3. Using a 4:1 sand and cement mixture, lay at height of 50mm

Note: do not use fast drying cement or lime in the mix, it might cause cracking in the pan.

4. Position pan over cement mixture and ensure connection to pan collar. Using a level, ensure pan is level and base of pan is sitting approximately 10mm above finished floor level
5. Remove excess mortar from base of pan and allow 24 hours from mortar bed to set

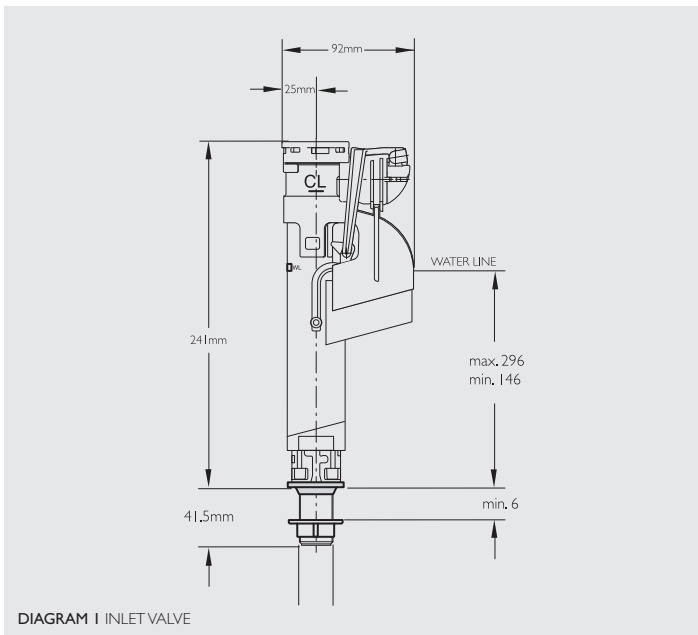
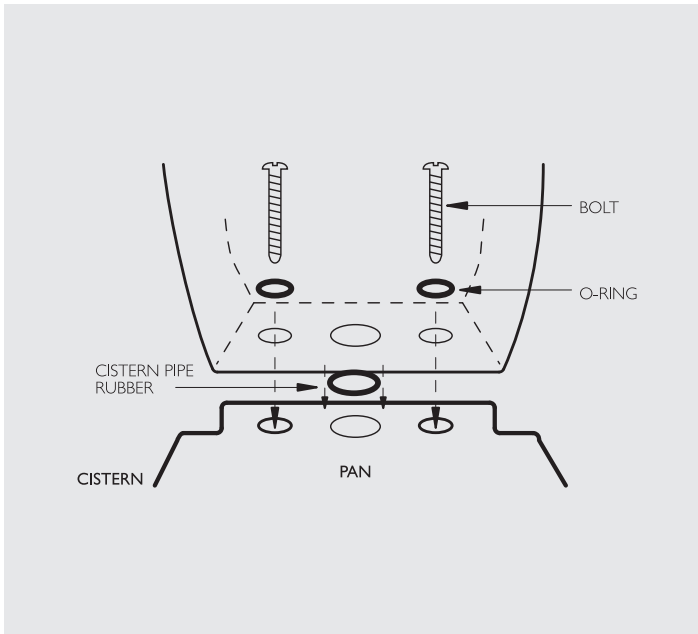


DIAGRAM 1 INLET VALVE

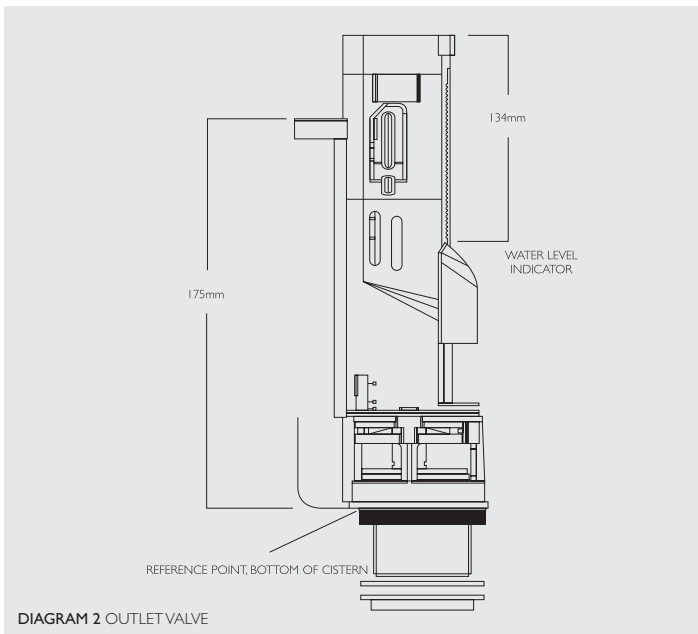


DIAGRAM 2 OUTLET VALVE

Cistern fixing

1. Position 12mm cistern rubber ring over the nut on the outlet valve, which is located on the underside of the cistern
2. Position fixing bolts in base of cistern ensuring that black O-ring is inside cistern. Lift cistern over pan, lining up cistern fixing bolts to the predetermined holes in pan. Using nut and washer provided tightened cistern to pan evenly. A small amount of silicone can be used on the back of the cistern if required to hold the cistern in place
3. Connect cistern to stop tap using appropriate plumbing fittings

Cistern Operations

The inlet and outlet valves are set to predetermined 4.5/3 levels at the time of manufacturing.

Note: 4.5/3 levels are to be checked at the time of installation.

Inlet valve

Inlet valve height from the bottom inside of the cistern to the top of the outlet valve should measure 241mm

Outlet valve

Float indicator should measure 134mm from top of outlet valve to top point of float.

Important: measurements are subject to manufacturing tolerances, please check.

Check measurements before commencing installation. the manufacturer is entitled to make change without giving notice. It is recommended that you use a qualified plumber to install this toilet suite. Check if buliding regulations are required, failure to do so may invalidate the warranty.

HEAD OFFICE VIC
22 JERSEY ROAD
BAYSWATER VIC 3153
T. (03) 9729 6777
F. (03) 9729 0115

NSW/ACT
QLD
TAS
WA
SA
DARWIN
TOWNSVILLE

T. (02) 9679 8888	F. (02) 9679 8700
T. (07) 3386 1866	F. (07) 3386 1877
T. (03) 6334 2992	F. (03) 6334 2994
T. (08) 9240 7299	F. (08) 9240 6144
T. (08) 8387 7344	F. (08) 8387 7355
T. (08) 8948 5062	F. (08) 8985 3465
T. (07) 4775 5784	F. (07) 4725 8480



SALES@MARBLETREND.COM.AU
WWW.MARBLETREND.COM.AU