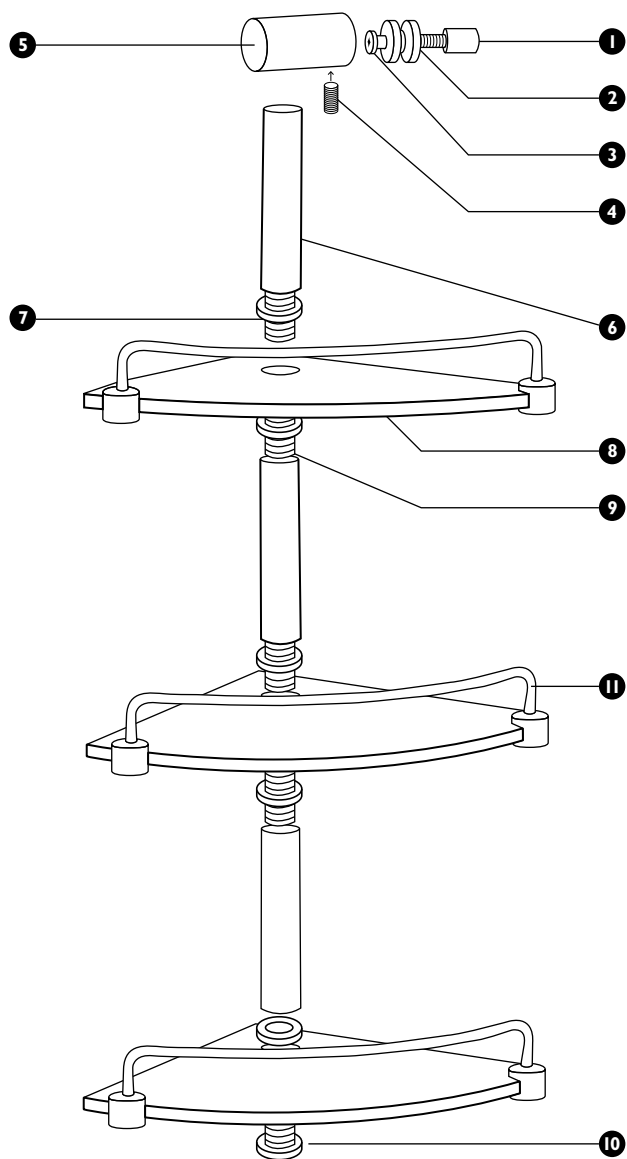


**MEDEA SHOWER TIDY INSTALLATION INSTRUCTIONS****PARTS LIST**

1. 1 x Wall Plug
2. 1 x Fixing Ring
3. 1 x Screw
4. 1 x Fixing Grub Screw
5. 1 x Fixing Rod
6. Connection Rods
7. Washers
8. 2 or 3 Pieces of Glass (dependant on 2 shelf or 3 shelf)
9. 1 x Connection Bolt
10. 1 x Fixing Bolt
11. 2 or 3 Sets of Protection Fence (dependant on 2 shelf or 3 shelf)

1. Assemble Shower Tidy as per diagram.
2. Drill a 6mm hole in wall lining, insert the wall plug. Fasten the fixing ring on the wall with screw and then fasten the fixing rod to the fixing ring with the grub screw.
3. Note: The weight on the shelf unit should not exceed 1.5kg.

NB: Specifications are subject to change without prior notice.

RN699 | 0806

HEAD OFFICE VIC

22 JERSEY ROAD
BAYSWATER VIC 3153
T. (03) 9729 6777 F. (03) 9729 0115

NSW/ACT

QLD
TAS
WA

T. (02) 9679 8888
T. (07) 3200 7555
T. (03) 6334 2992
T. (08) 9240 7299

F. (02) 9679 8700
F. (07) 3200 5777
F. (03) 6334 2994
F. (08) 9240 6144

**SA
TOWNSVILLE**

T. (08) 8387 7344 F. (08) 8387 7355
T. (07) 4775 5784 F. (07) 4725 8480