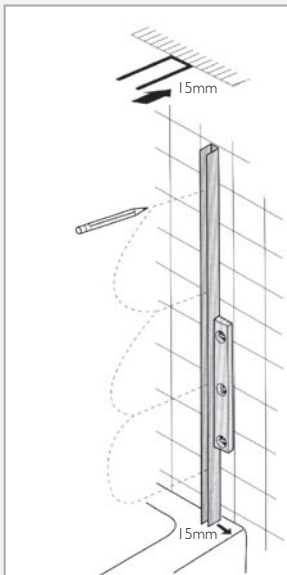
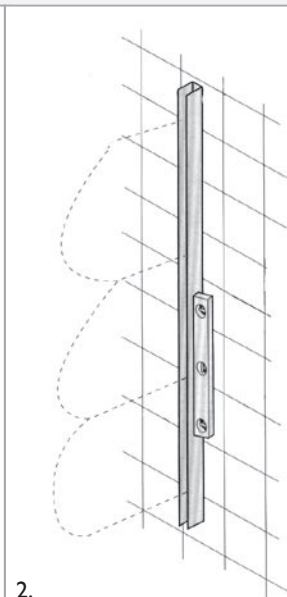




TREND SINGLE PANEL SHOWER SCREEN INSTALLATION INSTRUCTIONS

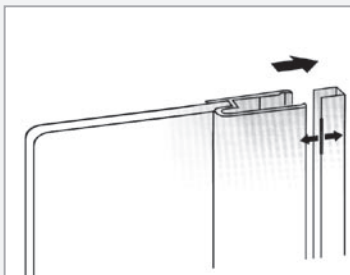


1.

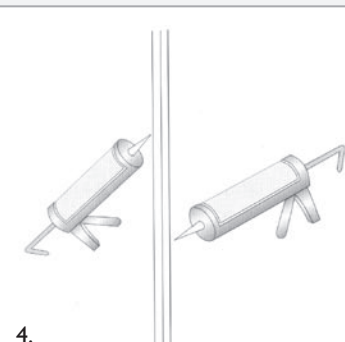


2.

1. Place wall jamb 15mm in from edge of bath or inside edge of tile lip.
2. Drill 6mm hole through wall for plug. Fit wall plug. Fix wall jamb to wall with side fixing holes to the inside.



3.



4.

3. Place door assembly into wall jamb. Plumb edge of door and drill and fix door assembly to wall jamb with screws provided. Place plastic snap caps over screw heads. Fit rubber splash guard.
4. Silicone wall jamb inside and out. Allow 24 hours for silicone to cure before use.



RN6283 | 0005

HEAD OFFICE VIC

22 JERSEY ROAD
 BAYSWATER VIC 3153
 T. (03) 9729 6777 F. (03) 9729 0115

NSW/ACT QLD TAS WA

T. (02) 9679 8888
 T. (07) 3200 7555
 T. (03) 6334 2992
 T. (08) 9240 7299

F. (02) 9679 8700
 F. (07) 3200 5777
 F. (03) 6334 2994
 F. (08) 9240 6144

SA DARWIN TOWNSVILLE CAIRNS

T. (08) 8387 7344 F. (08) 8387 7355
 T. (08) 8948 5062 F. (08) 8985 3465
 T. (07) 4775 5784 F. (07) 4725 8480
 T. (07) 4054 7890 F. (07) 4033 1711