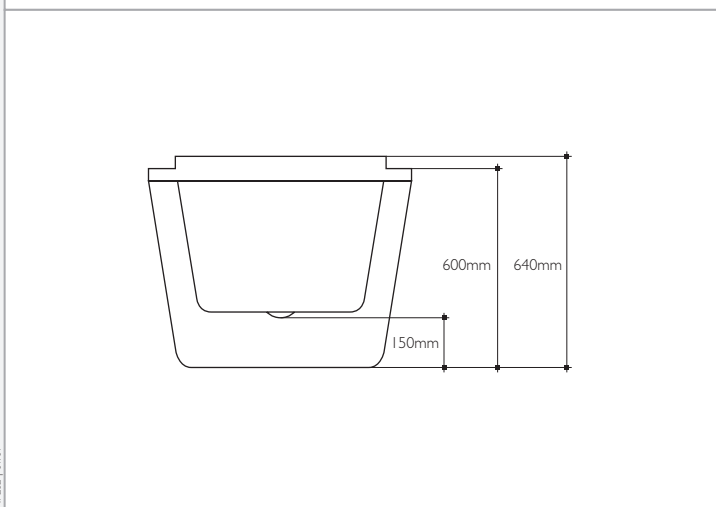
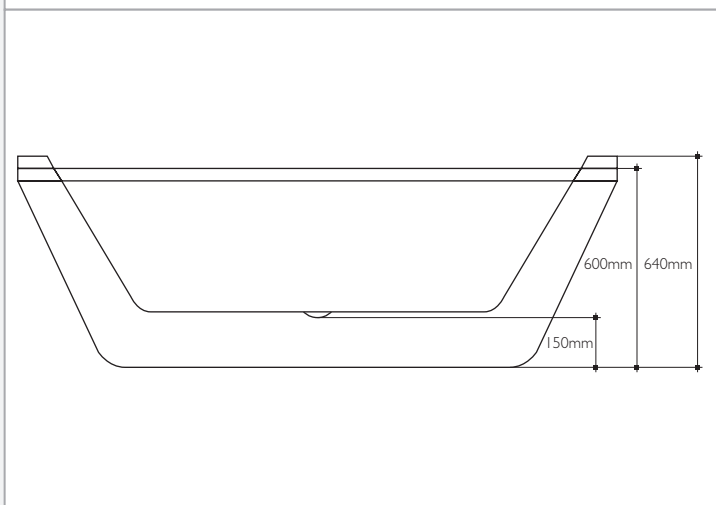




PURE BATH INSTALLATION INSTRUCTIONS



Your Marbletrent Pure Bath is a two piece unit, please inspect before installation. No claims will be accepted after installation.

1. To separate the bath shell from the bottom surround, lift bath shell up and out of bottom surround.
2. Once the position of the bath has been determined fix bottom surround to the floor in 6 points. For timber floors it is recommended to use 8 gauge flat head screws, for concrete floors it is recommended to use 6mm dyna bolts.
3. Trial fit inner shell to outer shell and ensure all feet are touching the ground, adjust if necessary.
4. To fit the bath shell to the bottom surround turn the bath upside down (place some protection on the floor to ensure the bath surface incurs no damage).
5. Place a generous amount of non acidic silicone on the underside rim of the bath. This is required for when the inner and outer shell are joined back together.
6. Turn bath shell over and lift into position over the bottom surround and ensure contact is made between the silicone on the bath shell and the bath surround.
7. Connect trap to waste, (for timber floor connect from underneath floor, for concrete floor glue installation is required). It is recommended a plumber is consulted for concrete floor installation.

IT IS RECOMMENDED THE BATH NOT BE USED FOR 24 HOURS TO ENSURE SILICONE HAS FULLY CURED.

NB. Specifications are subject to change without prior notice. We recommend that hot water applied to this product does not exceed 55°C.

RN7282 | 01/07

HEAD OFFICE VIC
22 JERSEY ROAD
BAYSWATER VIC 3153
T. (03) 9729 6777 F. (03) 9729 0115

NSW/ACT T. (02) 9679 8888
QLD T. (07) 3200 7555
TAS T. (03) 6334 2992
WA T. (08) 9240 7299

F. (02) 9679 8700
F. (07) 3200 5777
F. (03) 6334 2994
F. (08) 9240 6144

SA T. (08) 8387 7344 F. (08) 8387 7355
DARWIN T. (08) 8948 5062 F. (08) 8985 3465
TOWNSVILLE T. (07) 4775 5784 F. (07) 4725 8480

SALES@MARBLETREND.COM.AU WWW.MARBLETREND.COM.AU