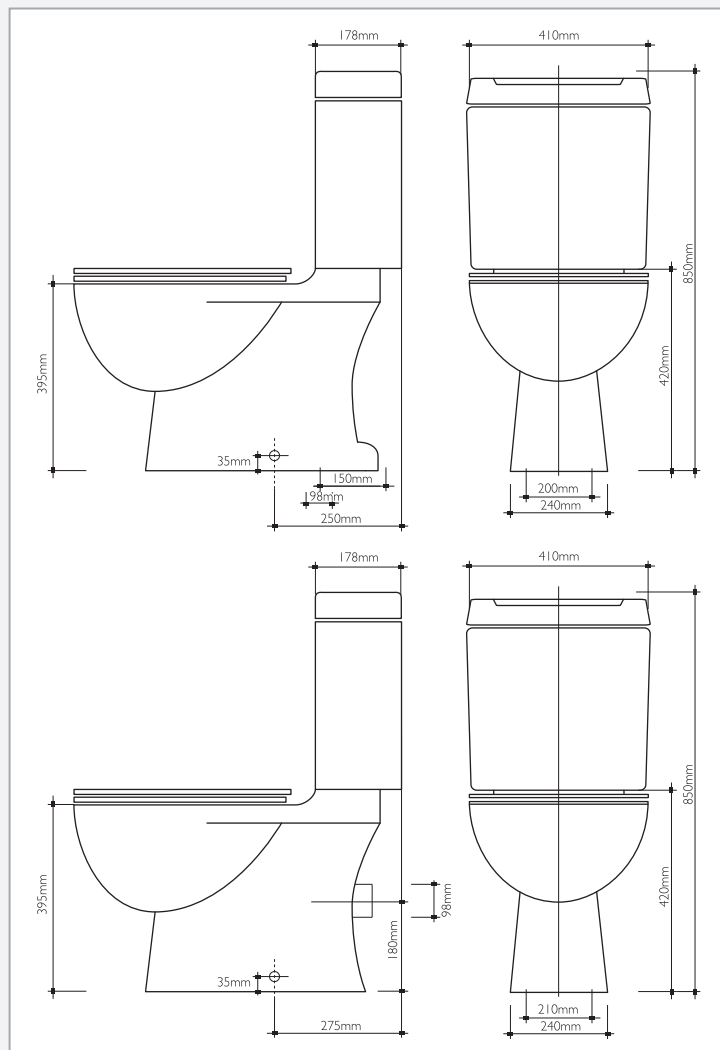


## SELECT TOILET SUITE

## INSTALLATION INSTRUCTIONS



### Please inspect your new toilet suite before installation No claims will be accepted after installation is completed

Contents: Pan, Cistern, Seat, Cistern bolts, Cistern Rubber, Pan fixing bracket

#### ROUGH IN

S Trap requires a 150mm centre setout from finished plaster or 160mm from stud. P Trap requires a 180mm centre setout from finished floor.

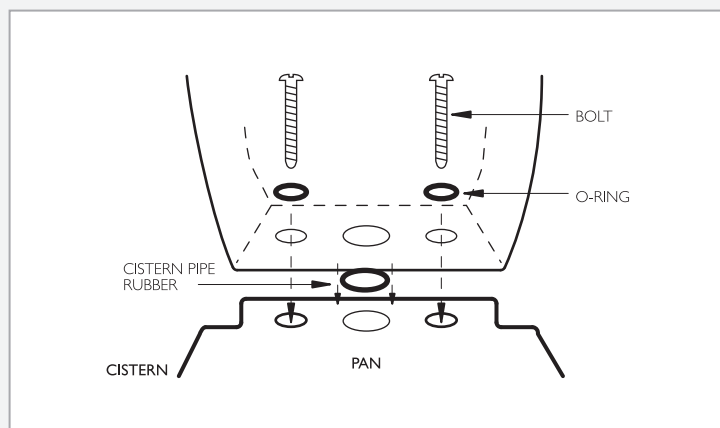
#### PAN INSTALLATION USING FIXING BRACKET

1. Place toilet pan in position on finished floor and lightly with a pencil mark the outside of the base of the pan to give you a template line, also mark the position of the fixing hole on the floor.

Measure thickness of pan at the base, transfer this measurement to the floor from the template line to give you finished bracket position.

Ensure bracket is lined up with the centre of the fixing hole mark and fix to floor.

2. Apply a bead of silicone to the underside rim of the pan, position toilet pan over pan collar and ensure a tight seal between toilet pan and pan collar.
3. With screws and plastic collar provided CAREFULLY fix toilet pan to fixing bracket.
4. Position screw cap over pan screws to provide a clean finish.
5. Position toilet seat bolts through holes in top of pan and fix with wing nuts provided.



#### CISTERN FIXING

1. Position 12mm cistern rubber ring over the nut on the outlet valve, which is located on the underside of the cistern.
2. Position fixing bolts in base of cistern ensuring that black o-ring is inside cistern. Lift cistern over pan, lining up cistern fixing bolts to the pre-determined holes in pan. Using nut and washer provided tightened cistern to pan evenly. A small amount of silicone can be used on the back of the cistern if required to hold the cistern in place.
3. Connect cistern to stop tap using appropriate plumbing fittings.

