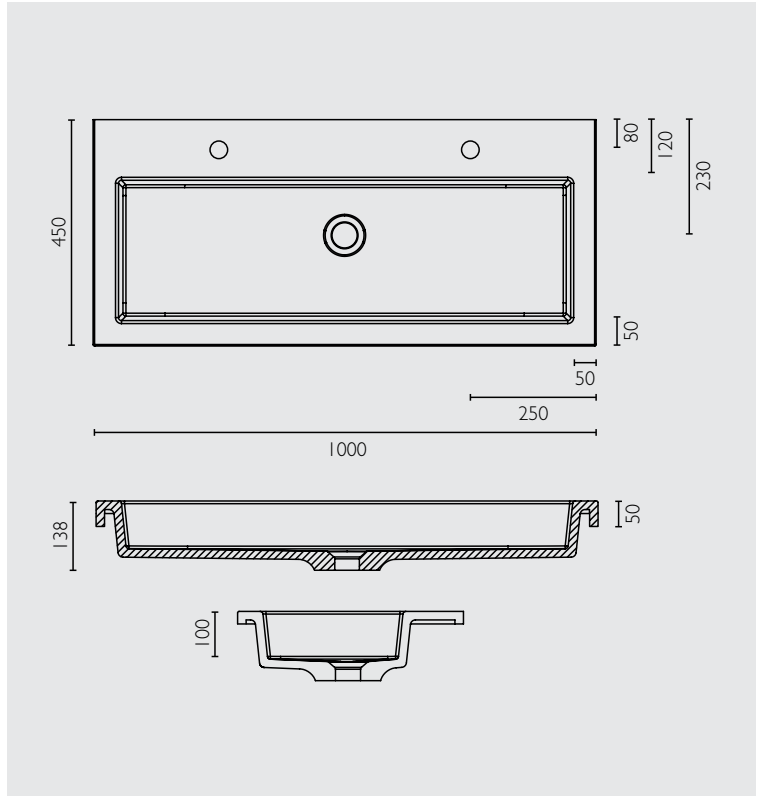


pure

1000 vanity top



FEATURES AND BENEFITS

- > Smooth corners for easy cleaning
- > Modern design
- > Pure 1000 Basin offers the flexibility of accommodating two mixer taps, making it a stylish dual usage option
- > Also available in 20mm height
- > Large trough like bowl

SIZES

- > 1000mm x 450mm x 50mm x 100mm (internal depth)
(900mm x 280mm bowl size)

TAPHOLES

- > N, 1 or 3 tapholes

COLOURS

- > White only

WASTE

- > 40mm (not included)

MANUFACTURING MATERIALS

- > Marblelite™

GUARANTEE

- > Pure top comes with a 10 year guarantee
- > Marbletrend will supply a replacement product where a fault is shown to be caused by faulty manufacture or materials, prior to installation
- > Guarantee does not include removal and installation cost

CODES

- | | |
|----------|-------------------------------------|
| PU42A1CW | Pure 1000x450 White 3th Marblelite™ |
| PU42B1CW | Pure 1000x450 White 2th Marblelite™ |
| PU42C1CW | Pure 1000x450 White 1th Marblelite™ |

DISCLAIMER

The manufacturer/distributor reserves the right to vary specifications or delete models from their range without prior notification. Dimensions and set-outs listed are correct at the time of publication however the manufacturer/distributor takes no responsibility for printing errors.

Toll Free: 1800 902 226
sales@marbletrend.com.au
www.marbletrend.com.au