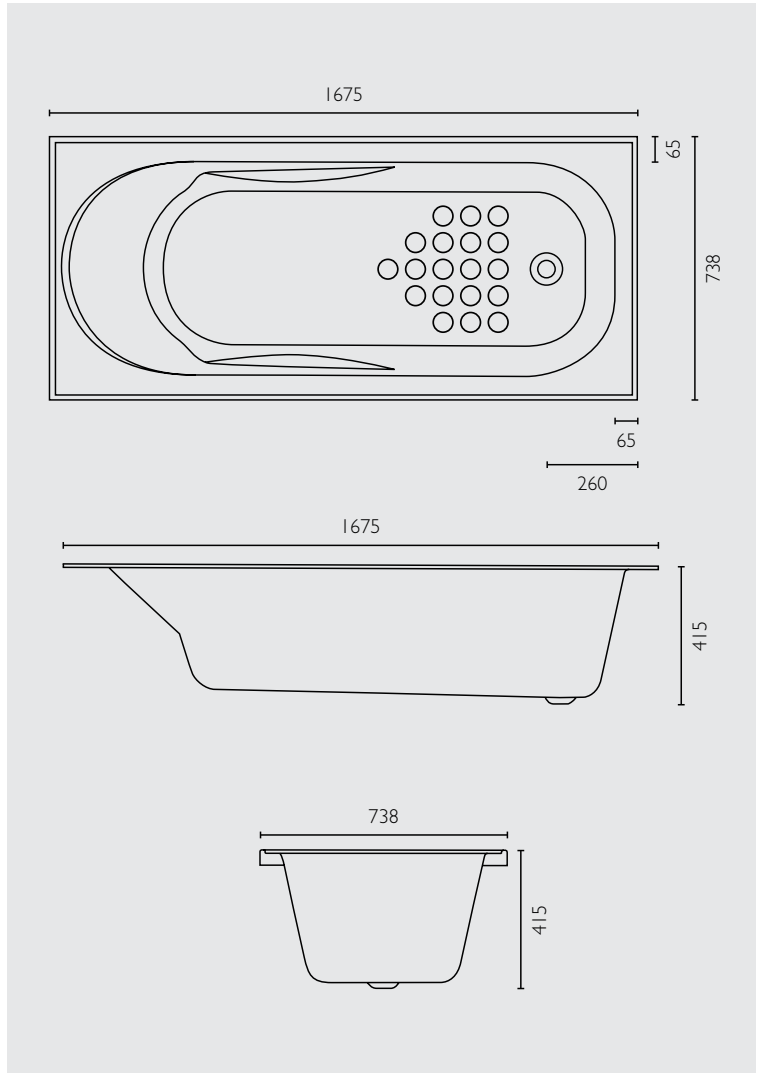


project

I 675 Inset Bath



FEATURES & BENEFITS

- > Traditional bath of classic style for general purpose applications, featuring a comfortable lumbar support and easy to clean contours
- > Inset bath
- > Heat retaining finish
- > Anti skid surface
- > No mortar bed required for support
- > Available in 2 sizes

SIZES

- > 1675mm x 738mm x 415mm (d)
- > Internal depth 395mm

COLOURS

- > White only

VOLUME

- > 230 litres

WEIGHT

- > 19kg

MANUFACTURING MATERIALS

- > Acrylic

GUARANTEE

- > Baths come with a 5 year guarantee
- > Marbletrend will replace this product if a fault is shown to be caused by faulty manufacturing or materials, prior to correct installation
- > This guarantee does not include removal and installation costs

CODES

BPWHWH Project I 675 Inset Bath

DISCLAIMER

The manufacturer/distributor reserves the right to vary specifications or delete models from their range without prior notification. Dimensions and set-outs listed are correct at the time of publication however the manufacturer/distributor takes no responsibility for printing errors.

Toll Free: 1800 902 226
sales@marbletrend.com.au
www.marbletrend.com.au