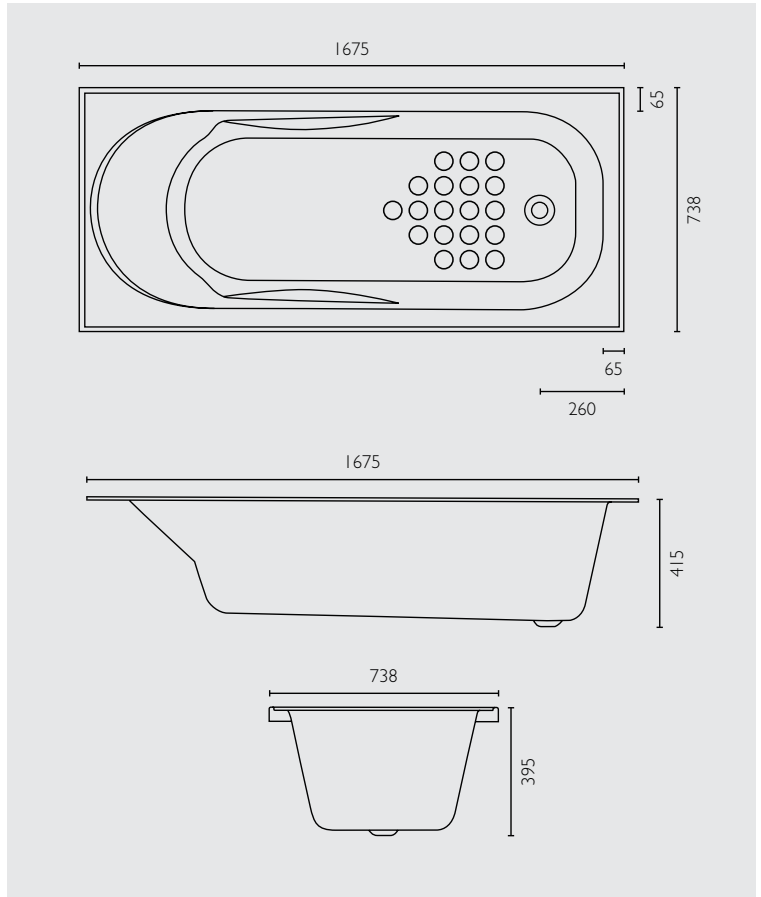


project

1675 inset bath



FEATURES & BENEFITS

- > Inset bath
- > Heat retaining finish
- > Anti skid surface
- > No mortar bed required for support
- > Traditional bath of classic style for general purpose applications, featuring a comfortable lumbar support and easy to clean contours

SIZE

- > 1675mm x 738mm x 415mm (d)
- > Internal depth 395mm

COLOURS

- > White only

VOLUME

230 litres

WASTE

- > 40mm (not included)

WEIGHT

- > to come

MANUFACTURING MATERIALS

- > Acrylic

GUARANTEE

- > Baths come with a 5 year guarantee
- > Marbletrend will replace this product if a fault is shown to be caused by faulty manufacturing or materials, prior to correct installation
- > This guarantee does not include removal and installation costs

CODES

BPWHWH 9322422096234



9 322422 096234

DISCLAIMER

The manufacturer/distributor reserves the right to vary specifications or delete models from their range without prior notification. Dimensions and set-outs listed are correct at the time of publication however the manufacturer/distributor takes no responsibility for printing errors.

HEAD OFFICE VIC

22 JERSEY ROAD
BAYSWATER VIC 3153
T. (03) 9729 6777
F. (03) 9729 0115

NSW/ACT

T. (02) 9679 8888 F. (02) 9679 8700
QUEENSLAND
T. (07) 3386 1866 F. (07) 3386 1877
TASMANIA
T. (03) 6334 2992 F. (03) 6334 2994

WESTERN AUSTRALIA

T. (08) 9240 7299 F. (08) 9240 6144
SOUTH AUSTRALIA
T. (08) 8387 7344 F. (08) 8387 7355
DARWIN
T. (08) 8948 5062 F. (08) 8985 3465

FAR NORTH QLD

T. (07) 4779 0177 F. (07) 4775 1480

sales@marbletrend.com.au
www.marbletrend.com.au