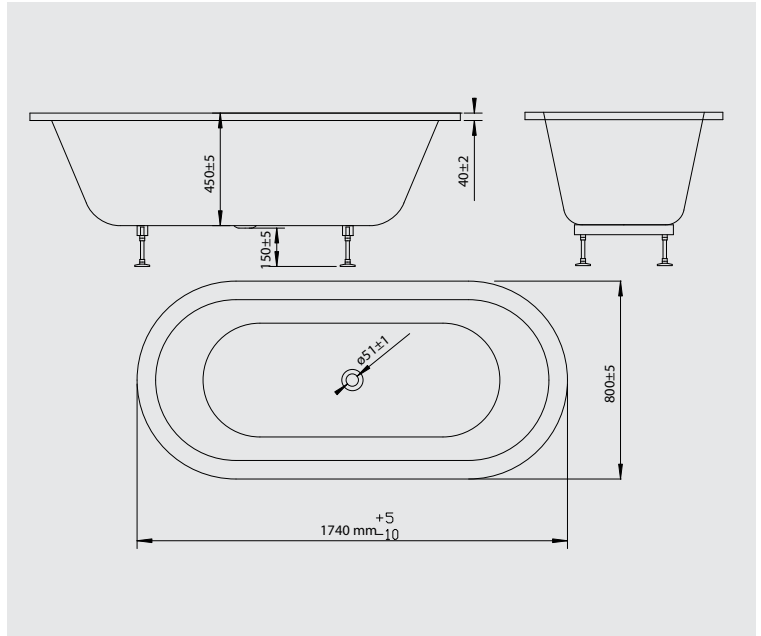


# merge

1750 island bath



## FEATURES & BENEFITS

- > Island bath
- > Centre waste
- > No mortar bed required for support
- > Rounded corners enables the creation of a modern island design
- > Freestanding option available
- > Smooth lines for easy cleaning

## SIZE

- > 1750mm x 800mm x 450mm (d)

## COLOURS

- > White only

## VOLUME

- > 250 litres

## WASTE

- > 40mm (not included)

## WEIGHT

- > to come

## MANUFACTURING MATERIALS

- > Acrylic

## GUARANTEE

- > Baths come with a 5 year guarantee
- > Marbletrend will replace this product, if a fault is shown to be caused by faulty manufacturing or materials, prior to correct installation
- > This guarantee does not include removal and installation costs

## CODES

BMWHWH 9322422019394



## DISCLAIMER

The manufacturer/distributor reserves the right to vary specifications or delete models from their range without prior notification. Dimensions and set-outs listed are correct at the time of publication however the manufacturer/distributor takes no responsibility for printing errors.

### HEAD OFFICE VIC

22 JERSEY ROAD  
BAYSWATER VIC 3153  
T. (03) 9729 6777  
F. (03) 9729 0115

### NSW/ACT

T. (02) 9679 8888 F. (02) 9679 8700  
**QUEENSLAND**  
T. (07) 3386 1866 F. (07) 3386 1877  
**TASMANIA**  
T. (03) 6334 2992 F. (03) 6334 2994

### WESTERN AUSTRALIA

T. (08) 9240 7299 F. (08) 9240 6144  
**SOUTH AUSTRALIA**  
T. (08) 8387 7344 F. (08) 8387 7355  
**DARWIN**  
T. (08) 8948 5062 F. (08) 8985 3465

### FAR NORTH QLD

T. (07) 4779 0177 F. (07) 4775 1480

[sales@marbletrend.com.au](mailto:sales@marbletrend.com.au)  
[www.marbletrend.com.au](http://www.marbletrend.com.au)