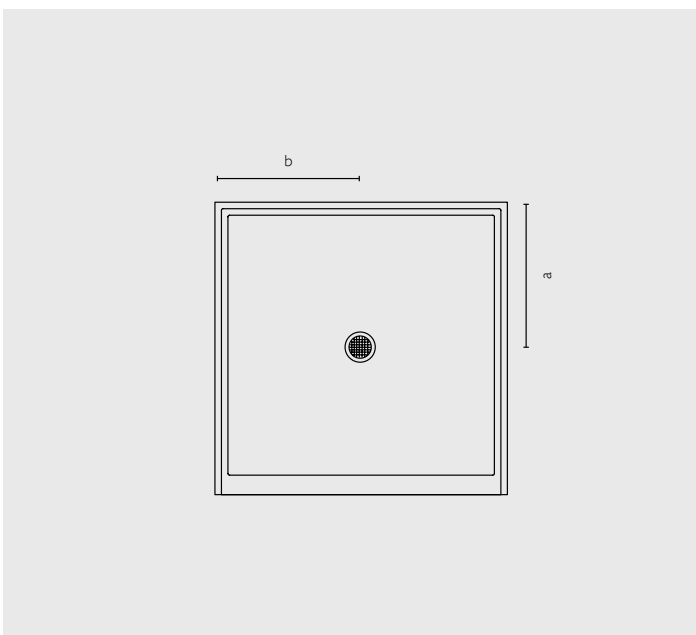
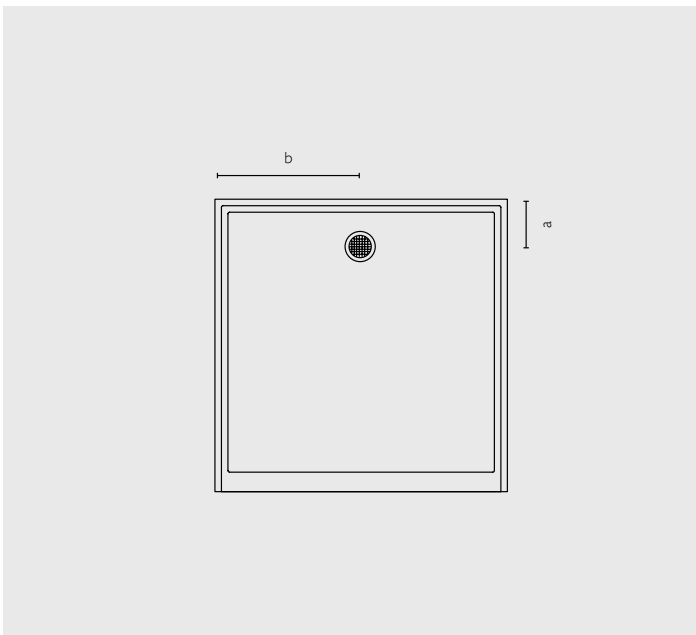


# project

shower base



## Features & Benefits

- Comes standard with white or almond ivory waste but can be purchased with chrome and gold waste.
- Anti skid surface available
- Variety of sizes to accommodate different size bathrooms
- Project base has a 50mm waste, standard for most households
- Waste positions are rear or centre, to suit most applications
- 900 x 900mm double entry centre outlet and right and left hand return rear outlet
- 1000 x 1000mm double entry centre outlet only\*
- 900 x 1220mm right & left hand return rear outlet only
- 1220 x 900mm right & left hand return rear outlet only

## Colour

- White
- Almond ivory

## Size

- 820 x 820mm rear outlet  
a: 150, b: 410mm
- 820 x 820mm centre outlet  
a: 410, b: 410mm
- 900 x 900mm rear outlet  
a: 150, b: 450mm
- 900 x 900mm centre outlet  
a: 450, b: 450mm
- 1000 x 1000mm rear outlet  
a: 150, b: 500mm
- 1000 x 1000mm centre outlet  
a: 500, b: 500mm
- 900 x 1220mm rear outlet  
a: 150, b: 450mm
- 1220 x 900mm rear outlet  
a: 150, b: 610mm
- 1220 x 900mm centre outlet  
a: 450, b: 610mm

## large.

- 1370 x 900mm rear outlet
- 1500 x 900mm rear outlet
- 1660 x 900mm rear outlet
- 1800 x 900mm rear outlet\*

## medium.

- 1060 x 820mm rear outlet
- 1060 x 900mm rear outlet
- 1220 x 820mm rear outlet
- 1220 x 1000mm rear outlet

## odd sizes.

- 760 x 760mm rear outlet
- 760 x 820mm rear outlet
- 820 x 760mm rear outlet
- 760 x 900mm rear outlet
- 900 x 760mm rear outlet
- 820 x 900mm rear outlet
- 900 x 820mm rear outlet
- 990 x 760mm rear outlet
- 900 x 900mm front outlet

## access base with built-in ramp and anti-skid surface.

- 1220 x 900mm rear outlet
- 1220 x 1000mm rear outlet

## Manufacturing Materials

- Marblelite™

## Guarantee

- 10 years for base . Marblentrend will replace this product, if a fault is shown to manufacturing or materials prior to correct installation. The guarantee does not include removal and installation costs

## Disclaimer

The manufacturer/distributor reserves the right to vary specifications or delete models from their range without prior notification. Dimensions and set-outs listed are correct at the time of publication however the manufacturer/distributor takes no responsibility for printing errors.

**HEAD OFFICE VIC**  
22 JERSEY ROAD  
BAYSWATER VIC 3153  
T. (03) 9729 6777  
F. (03) 9729 0115

**NSW/ACT**  
**QLD**  
**TAS**  
**WA**  
**SA**  
**DARWIN**  
**TOWNSVILLE**

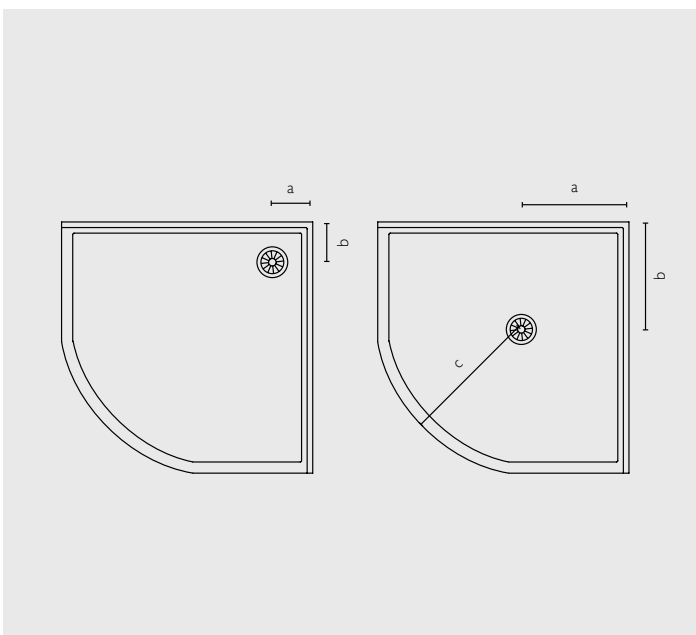
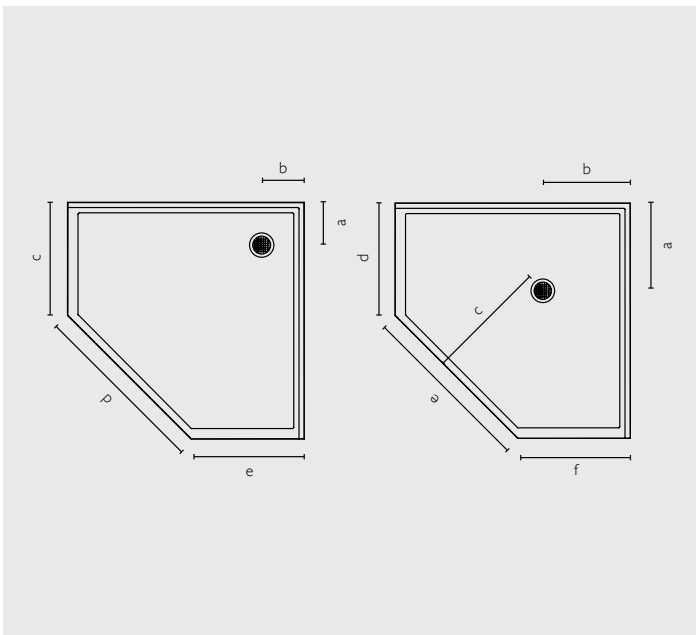
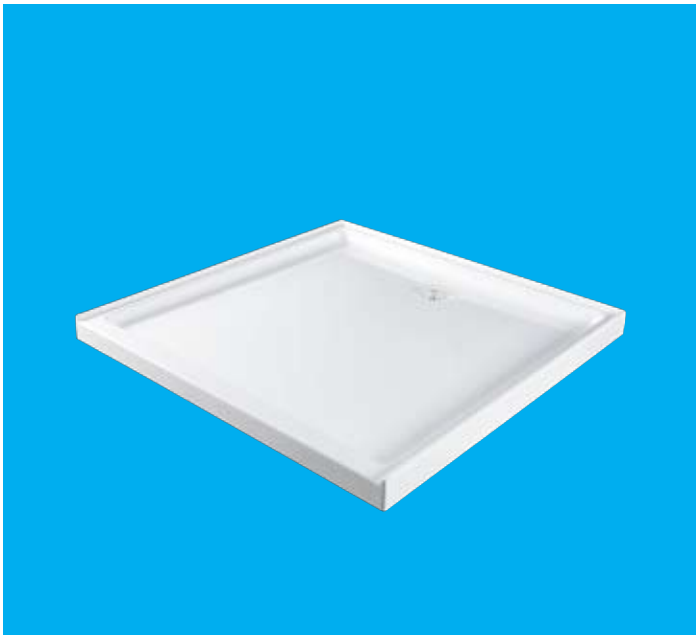
T. (02) 9679 8888 F. (02) 9679 8700  
T. (07) 3386 1866 F. (07) 3386 1877  
T. (03) 6334 2992 F. (03) 6334 2994  
T. (08) 9240 7299 F. (08) 9240 6144  
T. (08) 8387 7344 F. (08) 8387 7355  
T. (08) 8948 5062 F. (08) 8985 3465  
T. (07) 4775 5784 F. (07) 4725 8480



SALES@MARBLETREND.COM.AU  
WWW.MARBLETREND.COM.AU

# project

corner/curved shower base



## Features & Benefits

- Comes standard with white or almond ivory waste but can be purchased with chrome and gold waste.
- Dome waste available in white, almond ivory, chrome or gold as optional extra.
- Anti skid surface available – non slip
- Variety of sizes to accommodate different size bathrooms
- Project base has a 50mm waste, standard for most households
- Waste positions are rear or centre, to suit most applications

## Colour

- White
- Almond ivory

## Size

### corner.

- 914 x 914mm rear outlet  
a: 150, b: 150, c: 430, d: 680, e: 430mm
- 914 x 914mm centre outlet  
a: 335, b: 335, c: 470, d: 430, e: 680, f: 430mm
- 1000 x 1000mm rear outlet  
a: 150, b: 150, c: 430, d: 800, e: 430mm
- 1000 x 1000mm centre outlet  
a: 360, b: 360, c: 495, d: 430, e: 800, f: 430mm
- 1200 x 1200mm rear outlet  
a: 335, b: 335, c: 470, d: 540, e: 930, f: 540mm

### curved.

- 914 x 914mm rear  
a: 150, b: 150mm
- 914 x 914mm centre  
a: 445, b: 445, c: 421mm
- 1000 x 1000mm rear  
a: 150, b: 150mm
- 1000 x 1000mm centre  
a: 495, b: 495, c: 480mm

## Manufacturing Materials

- Marblelite™

## Guarantee

- 10 years for base. Marbletrend will replace this product, if a fault is shown to manufacturing or materials prior to correct installation. The guarantee does not include removal and installation costs

## Disclaimer

The manufacturer/distributor reserves the right to vary specifications or delete models from their range without prior notification. Dimensions and set-outs listed are correct at the time of publication however the manufacturer/distributor takes no responsibility for printing errors.

**HEAD OFFICE VIC**  
22 JERSEY ROAD  
BAYSWATER VIC 3153  
T. (03) 9729 6777  
F. (03) 9729 0115

**NSW/ACT**  
**QLD**  
**TAS**  
**WA**  
**SA**  
**DARWIN**  
**TOWNSVILLE**

T. (02) 9679 8888 F. (02) 9679 8700  
T. (07) 3386 1866 F. (07) 3386 1877  
T. (03) 6334 2992 F. (03) 6334 2994  
T. (08) 9240 7299 F. (08) 9240 6144  
T. (08) 8387 7344 F. (08) 8387 7355  
T. (08) 8948 5062 F. (08) 8985 3465  
T. (07) 4775 5784 F. (07) 4725 8480



SALES@MARBLETREND.COM.AU  
WWW.MARBLETREND.COM.AU