

# Carra Corner Entry Semi Frameless



## Features & Benefits

- Semi-frameless design
- Post And Rail Handle
- Toughened glass doors for increased safety
- Plain wall liner available
- Suits Project, Evo, Hampton and Select bases
- Screen height 2000mm
- Magnetic seal door
- Fully enclosed roller bearing runners, stop moisture from entering
- Nylon rollers for smooth door movement
- Quick release door rollers for easy cleaning

## Size Options

### To suit shower bases/ tiled floor

900 x 900

1000 x 1000

1220 x 900

### Actual Size of screen min - max sizes

Front min 850-max 875

Side min 850-max 875

Front min 950-max 975

Side min 950-max 975

Front min 1165-max 1190

Side min 850-max 875

## Screen Height

2000mm

## Handle

- 420mm H
- Chrome only

## Frame Colour

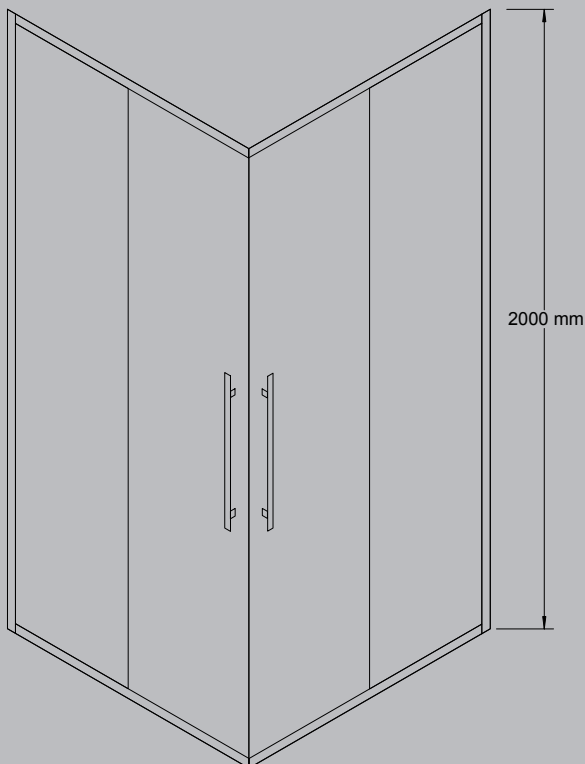
- Chrome or White

## Manufacturing Materials

- 6mm glass door panel
- 5mm glass return panels
- Aluminium Frame

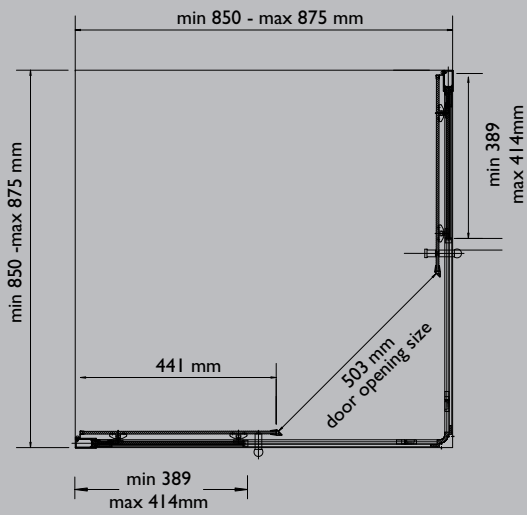
## Product codes

Size	White	Chrome
900	SSCR26WHCLS	SSCR26CHCLS
1000	SSCR40WHCLS	SSCR40CHCLS
1220	SSCR34WHCLS	SSCR34CHCLS

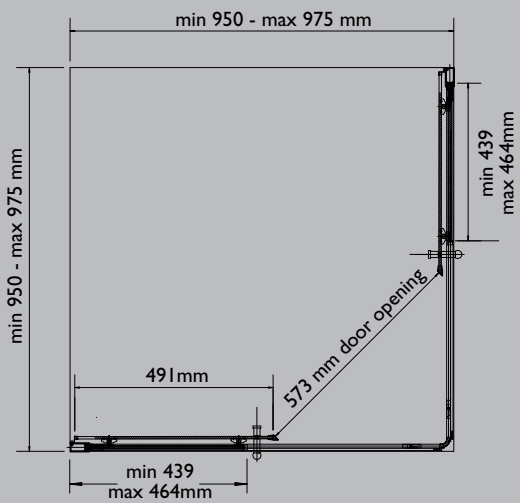


[www.marbletrend.com.au](http://www.marbletrend.com.au)

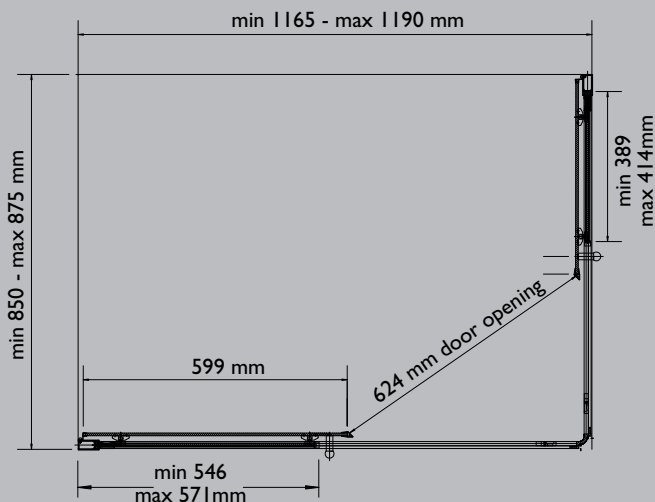
# Carra Corner Entry Semi Frameless



**900 Corner Entry**



**1000 Corner Entry**



**1200 Corner Entry**

## Guarantee

12 months, where we will replace this product if a fault is shown to be caused by faulty manufacturing or materials. This guarantee does not include removal and installation costs.

## Disclaimer

The manufacturer/distributor reserves the right to vary specifications or delete models from their range without prior notification. Dimensions and set-outs listed are correct at the time of publication however the manufacturer/distributor takes no responsibility for printing errors.