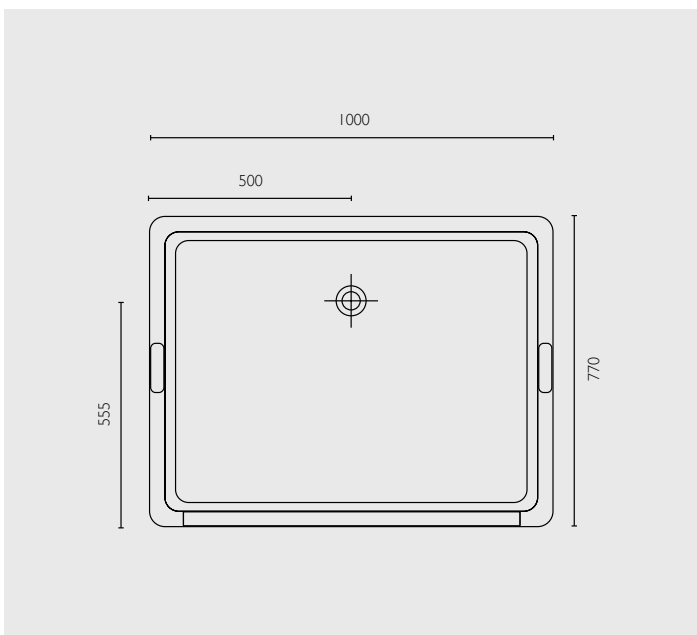
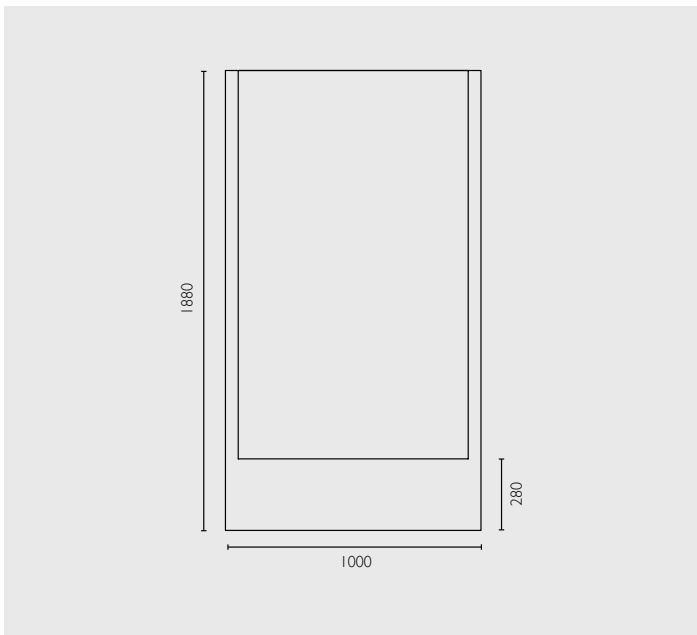


se 20

shower enclosure



Features & Benefits

- . One piece construction, leakproof
- . Larger 3 sided enclosure
- . Rear drainage outlet
- . High step of 280mm is useful for bathing young children
- . Dual recessed soap holders
- . Waste is positioned 555mm from front, 500mm from sides (centre)
- . Comes standard with curtain rail
- . Ideal for portable homes, campervans, etc
- . Screen also available

Sizes

- . 1000mm x 770mm
- . 1800mm high
- . 280mm high step

Waste

- . 40mm PVC

Colours

- . Enclosure - White or Ivory
- . Screen - White, Ivory, Chrome or Gold
- . Curtain rod - Chrome
- . Glass - Clear only

Manufacturing Materials

- . Fully moulded fibreglass unit with smooth acrylic finish
- . Glass is 5mm toughened safety glass

Guarantee

- . Enclosure comes with a 12 month guarantee
- . Marbletrend will supply a replacement enclosure where a fault is shown to be caused by faulty manufacture or materials, prior to installation

Disclaimer

The manufacturer/distributor reserves the right to vary specifications or delete models from their range without prior notification. Dimensions and set-outs listed are correct at the time of publication however the manufacturer/distributor takes no responsibility for printing errors.

HEAD OFFICE VIC
22 JERSEY ROAD
BAYSWATER VIC 3153
T. (03) 9729 6777
F. (03) 9729 0115

NSW/ACT
QLD
TAS
WA
SA
DARWIN
TOWNSVILLE

T. (02) 9679 8888 F. (02) 9679 8700
T. (07) 3386 1866 F. (07) 3386 1877
T. (03) 6334 2992 F. (03) 6334 2994
T. (08) 9240 7299 F. (08) 9240 6144
T. (08) 8387 7344 F. (08) 8387 7355
T. (08) 8948 5062 F. (08) 8985 3465
T. (07) 4775 5784 F. (07) 4725 8480



SALES@MARBLETREND.COM.AU
WWW.MARBLETREND.COM.AU