

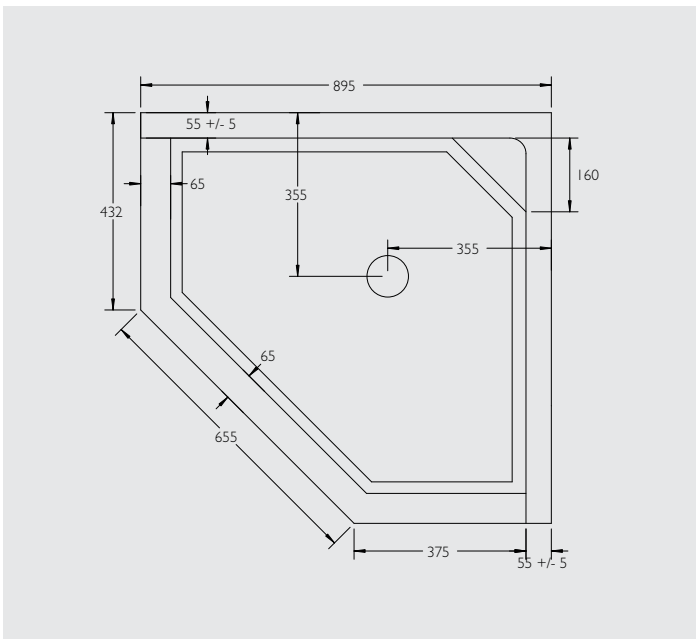
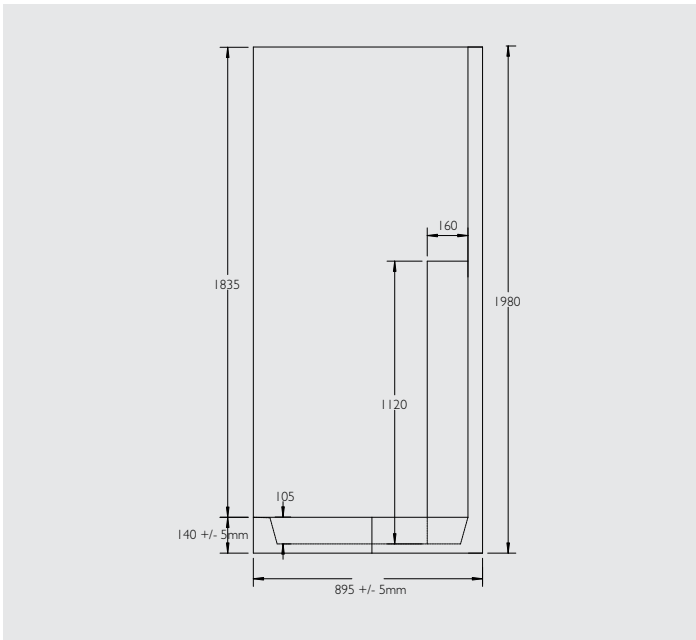


se 35
shower enclosure



se 35

shower enclosure



Features & Benefits

- One piece construction, leakproof
- Versatile corner enclosure
- Fully moulded central soap holder, 1145mm from floor
- Corner drainage outlet
- Waste is positioned at the rear
- Comes standard with curtain rail
- Screen also available

Sizes

- 895mm x 895mm
- 1980mm high
- 140mm low step

Waste

- 80mm x 50mm

Colours

- Enclosure - White or Ivory
- Screen - White, Ivory or Chrome
- Curtain rod - Chrome
- Glass - Clear only

Manufacturing Materials

- Fully moulded fibreglass unit with smooth acrylic finish
- Glass is 5mm toughened safety glass

Guarantee

- Enclosure comes with a 12 month guarantee
- Marbletrend will supply a replacement enclosure where a fault is shown to be caused by faulty manufacture or materials, prior to installation

Disclaimer

The manufacturer/distributor reserves the right to vary specifications or delete models from their range without prior notification. Dimensions and set-outs listed are correct at the time of publication however the manufacturer/distributor takes no responsibility for printing errors.

HEAD OFFICE VIC
22 JERSEY ROAD
BAYSWATER VIC 3153
t. (03) 9729 6777
f. (03) 9729 0115

NSW/ACT
QLD
TAS
WA
SA
DARWIN
TOWNSVILLE

T. (02) 9679 8888 F. (02) 9679 8700
T. (07) 3386 1866 F. (07) 3386 1877
T. (03) 6334 2992 F. (03) 6334 2994
T. (08) 9240 7299 F. (08) 9240 6144
T. (08) 8387 7344 F. (08) 8387 7355
T. (08) 8948 5062 F. (08) 8985 3465
T. (07) 4775 5784 F. (07) 4725 8480



sales@marbletrend.com.au
www.marbletrend.com.au