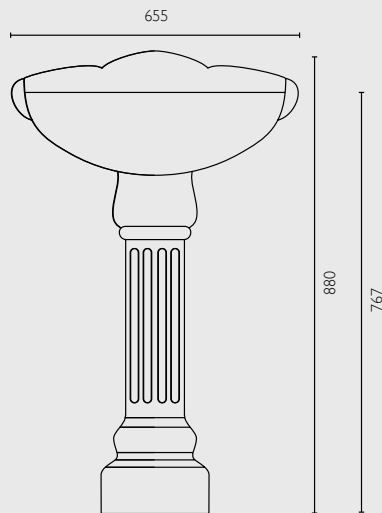


# westminister

pedestal basin



### Features & Benefits

- . Unique features include a large functional bowl with two soap holders
- . Large sculptured splash back
- . 3 taphole only
- . Traditional design

### Sizes

- . 655 W x 505 D x 880mm H

### Waste

- . 40mm (not included)

### Colours

- . White

### Manufacturing Materials

- . Vitreous China

### Guarantee

- . Westminister pedestal basin comes with a 12 month guarantee
- . Marbletrend will supply a replacement top where a fault is shown to be caused by faulty manufacture or materials, prior to correct installation
- . Guarantee dose not include removal and installation cost

### Disclaimer

The manufacturer/distributor reserves the right to vary specifications or delete models from their range without prior notification. Dimensions and set-outs listed are correct at the time of publication however the manufacturer/distributor takes no responsibility for printing errors.

**HEAD OFFICE VIC**  
22 JERSEY ROAD  
BAYSWATER VIC 3153  
T. (03) 9729 6777  
F. (03) 9729 0115

**NSW/ACT**  
**QLD**  
**TAS**  
**WA**  
**SA**  
**DARWIN**  
**TOWNSVILLE**

T. (02) 9679 8888  
T. (07) 3386 1866  
T. (03) 6334 2992  
T. (08) 9240 7299  
T. (08) 8387 7344  
T. (08) 8948 5062  
T. (07) 4775 5784  
F. (02) 9679 8700  
F. (07) 3386 1877  
F. (03) 6334 2994  
F. (08) 9240 6144  
F. (08) 8387 7355  
F. (08) 8985 3465  
F. (07) 4725 8480



SALES@MARBLETREND.COM.AU  
[WWW.MARBLETREND.COM.AU](http://WWW.MARBLETREND.COM.AU)