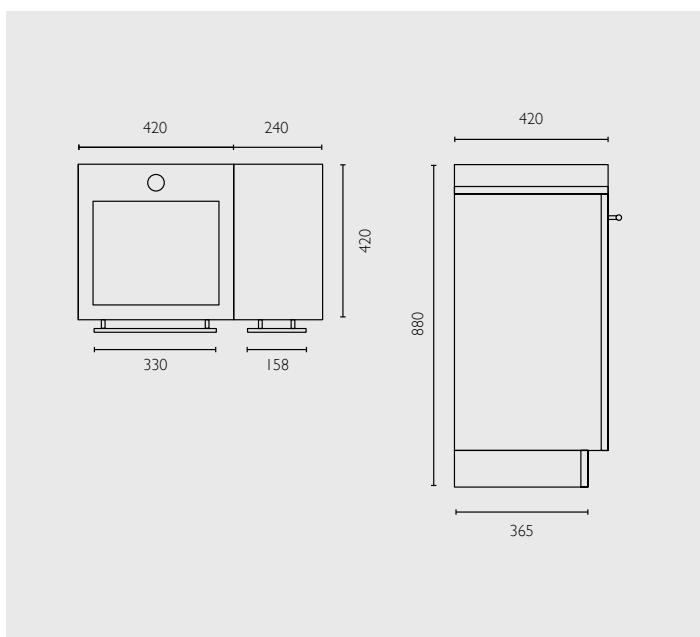
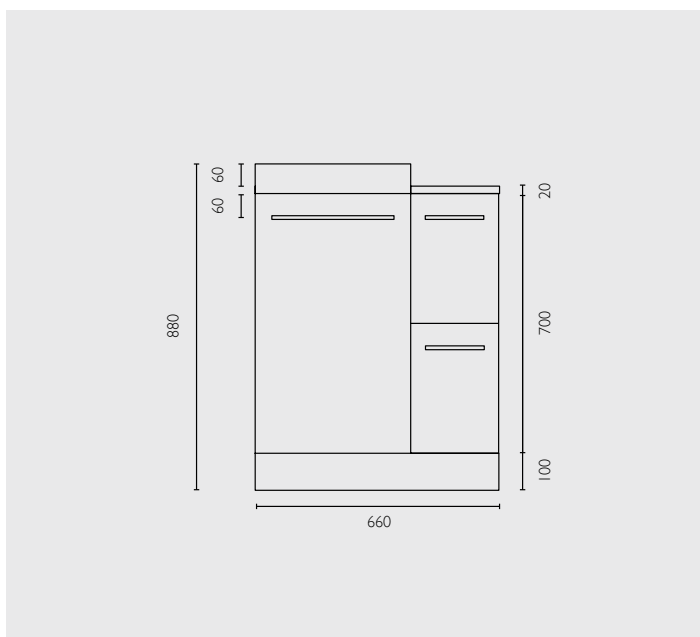




fresh
660 vanity



Features & Benefits

- Metal drawer runners
- A contemporary design with functional storage capacity
- Comes with post and rail chrome handles
- Available with Select square vessel only
- 1 or 3 tap hole available
- Vessel takes a 40mm plug and waste (not included)
- Select square vessel measures 420mm x 420mm x 80mm (h)

Size

- 660mm x 420mm x 880mmH (1 door 2 drawers)
- Drawer handle - 158mm x 35mm (98mm centres)
- Door handle - 330mm x 35mm (290mm centres)

Colour

- White only

Manufacturing Materials

- Full gloss vinyl wrap unit
- Select square vessel made of Marblelite™

Guarantee

- Marbletrend will replace a vanity where the problem is shown to be a fault in manufacturing or materials, prior to correct installation
- Vanities come with a 12 month and Select vessel 5 year guarantee

Disclaimer

The manufacturer/distributor reserves the right to vary specifications or delete models from their range without prior notification. Dimensions and set-outs listed are correct at the time of publication however the manufacturer/distributor takes no responsibility for printing errors.

HEAD OFFICE VIC
22 JERSEY ROAD
BAYSWATER VIC 3153
T. (03) 9729 6777
F. (03) 9729 0115

NSW/ACT
QLD
TAS
WA
SA
DARWIN
TOWNSVILLE

T. (02) 9679 8888 F. (02) 9679 8700
T. (07) 3386 1866 F. (07) 3386 1877
T. (03) 6334 2992 F. (03) 6334 2994
T. (08) 9240 7299 F. (08) 9240 6144
T. (08) 8387 7344 F. (08) 8387 7355
T. (08) 8948 5062 F. (08) 8985 3465
T. (07) 4775 5784 F. (07) 4725 8480



SALES@MARBLETREND.COM.AU
WWW.MARBLETREND.COM.AU