

# Boston 2000 semi frameless screen



## Features & Benefits

- Modern Design
- Post and Rail Handle
- Toughened glass doors for increased safety
- Plain wall liner available
- Suits Project, Evo, Hampton and Select bases
- Screen height 2000mm
- Magnetic seal door
- Left hand and right hand return available
- Suits tiled floors
- Also available in Front screen only

## Size Options

### Suit shower bases/ tiled floor

820 x 820

900 x 900

1000 x 1000

1220 x 900

### Actual Size of Screen min - max sizes

Front set min 750- max 810mm  
Side set min 770 - max 800mm

Front set min 830- max 890mm  
Side set min 835 - max 870mm

Front set min 930- max 990mm  
Side set min 935 - max 970mm

Front set min 1140- max 1200mm  
Side set min 835 - max 870mm

## Screen Height

2000mm

## Handle

- 420mm H
- Chrome only

## Frame Colour

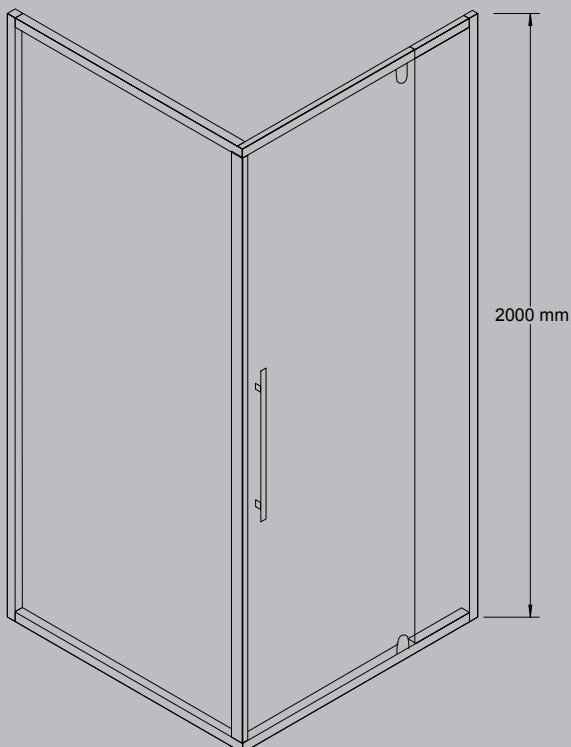
- Chrome or White

## Manufacturing Materials

- 6mm glass door panel
- 5mm glass on fixed panel
- Aluminium Frame

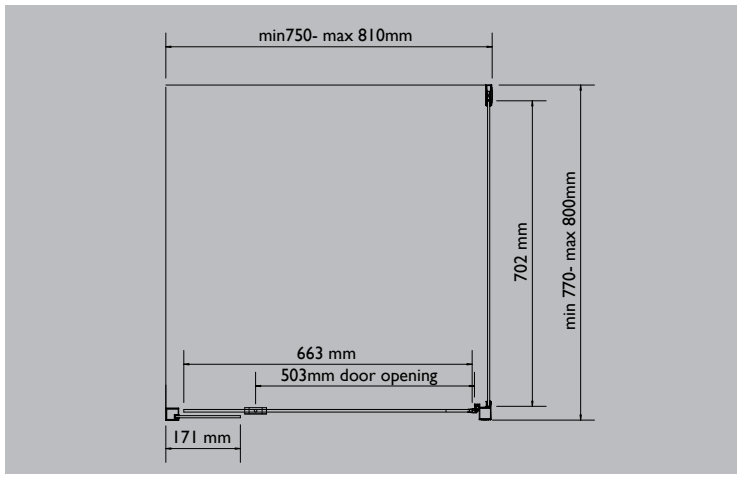
## Product codes

<b>820</b>	<b>FRONT</b>	<b>SIDE</b>
chrome	SSBS16CHCLP	SSBS16CHCLR
white	SSBS16CWCLP	SSBS16CWCLR
<b>900</b>	<b>FRONT</b>	<b>SIDE</b>
chrome	SSBS26CHCLP	SSBS26CHCLR
white	SSBS26CWCLP	SSBS26CWCLR
<b>1000</b>	<b>FRONT</b>	<b>SIDE</b>
chrome	SSBS40CHCLP	SSBS40CHCLR
white	SSBS40CWCLP	SSBS40CWCLR
<b>1220</b>	<b>FRONT</b>	<b>SIDE</b>
chrome	SSBS34CHCLP	SSBS26CHCLR
white	SSBS34CWCLP	SSBS26CWCLR

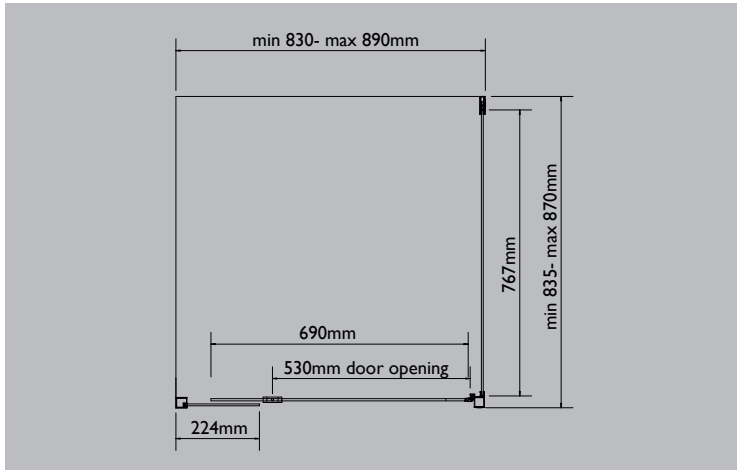


[www.marbletrend.com.au](http://www.marbletrend.com.au)

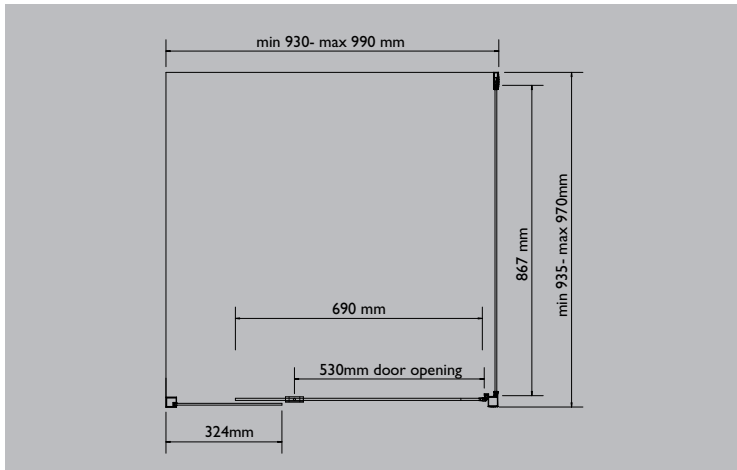
# Boston 2000 semi frameless screen



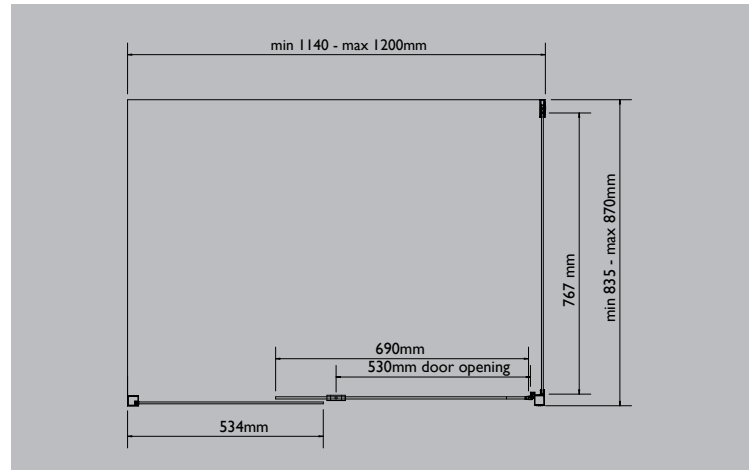
**820 semi frameless**



**900 semi frameless**



**1000 semi frameless**



**1220 x 900 semi frameless**

## Guarantee

12 months, where we will replace this product if a fault is shown to be caused by faulty manufacturing or materials. This guarantee does not include removal and installation costs.

## Disclaimer

The manufacturer/distributor reserves the right to vary specifications or delete models from their range without prior notification. Dimensions and set-outs listed are correct at the time of publication however the manufacturer/distributor takes no responsibility for printing errors.