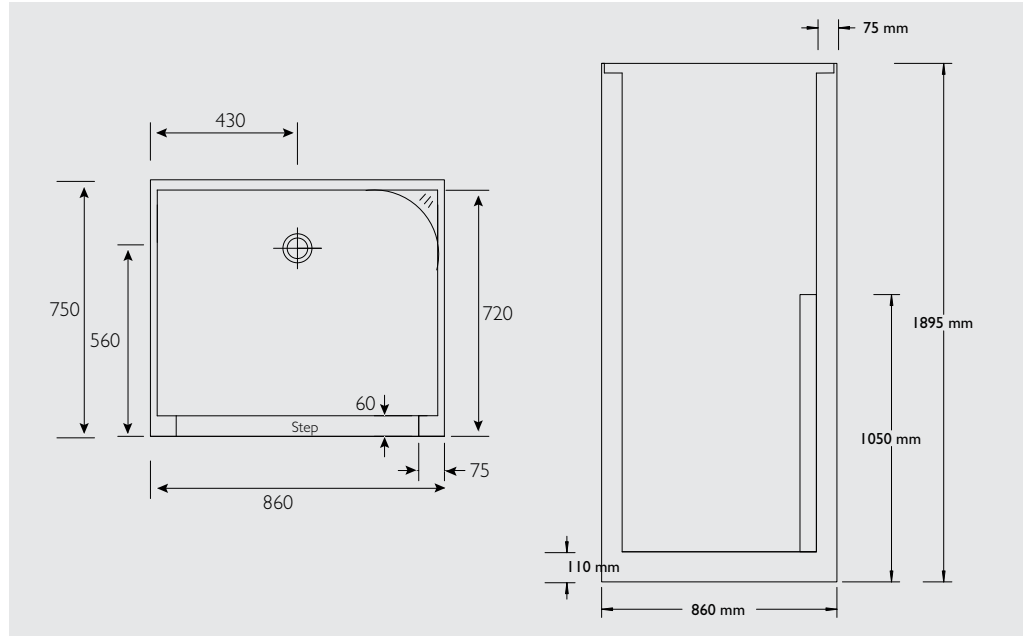


se 5

shower enclosure



FEATURES & BENEFITS

- > One piece construction, leakproof
- > Standard 3 sided enclosure
- > Rear drainage outlet
- > Waste is positioned 560mm from front, 430mm from sides (centre)
- > Comes standard with curtain rail and anti skid floor
- > Ideal for portable homes, campervans, etc
- > Screen also available

SIZES

- > 860mm x 750mm
- > 1895mm high
- > 110mm low step

WASTE

- > 80mm x 50mm PVC

COLOURS

- > Enclosure - White or Ivory
- > Screen - White, Ivory, Chrome or Gold
- > Custom Rod - Chrome
- > Glass - Clear only

MANUFACTURING MATERIALS

- > Fully moulded fibreglass unit with smooth acrylic finish
- > Glass is 5mm toughened safety glass

GUARANTEE

- > Enclosure comes with a 12 month guarantee
- > Marbletrend will supply a replacement product where a fault is shown to be caused by faulty manufacture or materials, prior to installation

PRODUCT CODES

Code	SE05 Description	Screen Option Description
SE05AI	SE05 862x750 A/Ivory L/S	Screen SE5 A/Ivory/Clear/Pivot
SE05WH	SE05 862x750 White L/S	Screen SE5 A/Ivory/Clear/Sliding
SSSE05AICLP		Screen SE5 P Gold/Clear/Pivot
SSSE05AICLS		Screen SE5 P Gold/Clear/Sliding
SSSE05PGCLP		Screen SE5 P Silver/Clear/Pivot
SSSE05PGCLS		Screen SE5 P Silver/Clear/Sliding
SSSE05PSCLP		Screen SE5 White/Clear/Pivot
SSSE05PSCLS		Screen SE5 White/Clear/Sliding
SSSE05WHCLP		
SSSE05WHCLS		

DISCLAIMER

The manufacturer/distributor reserves the right to vary specifications or delete models from their range without prior notification. Dimensions and set-outs listed are correct at the time of publication however the manufacturer/distributor takes no responsibility for printing errors.

HEAD OFFICE VIC
22 JERSEY ROAD
BAYSWATER VIC 3153
T. (03) 9729 6777
F. (03) 9729 0115

NSW/ACT
T. (02) 9679 8888 F. (02) 9679 8700
QUEENSLAND
T. (07) 3386 1866 F. (07) 3386 1877
WESTERN AUSTRALIA
T. (08) 9240 7299 F. (08) 9240 6144

TASMANIA
T. (03) 6334 2992 F. (03) 6334 2994
SOUTH AUSTRALIA
T. (08) 8387 7344 F. (08) 8387 7355
FAR NORTH QLD
T. (07) 4779 0177 F. (07) 4775 1480

DARWIN
T. (08) 8947 0019 F. (08) 8947 0349

sales@marbletrend.com.au
www.marbletrend.com.au