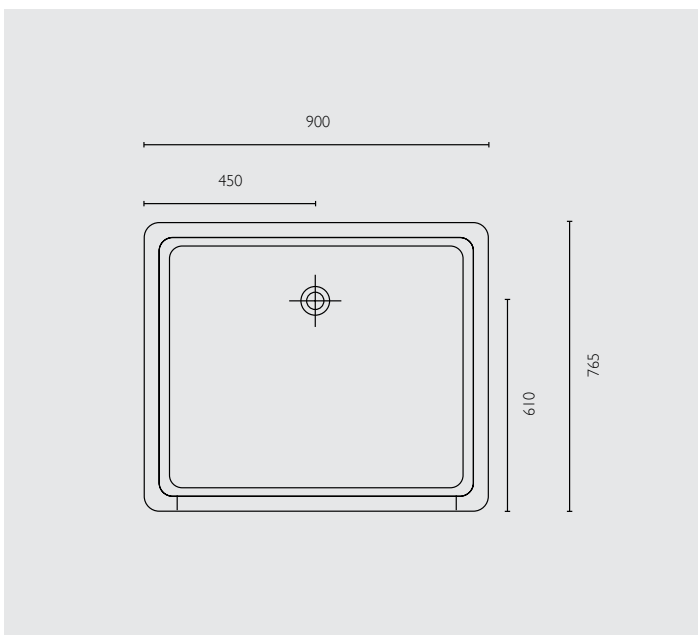
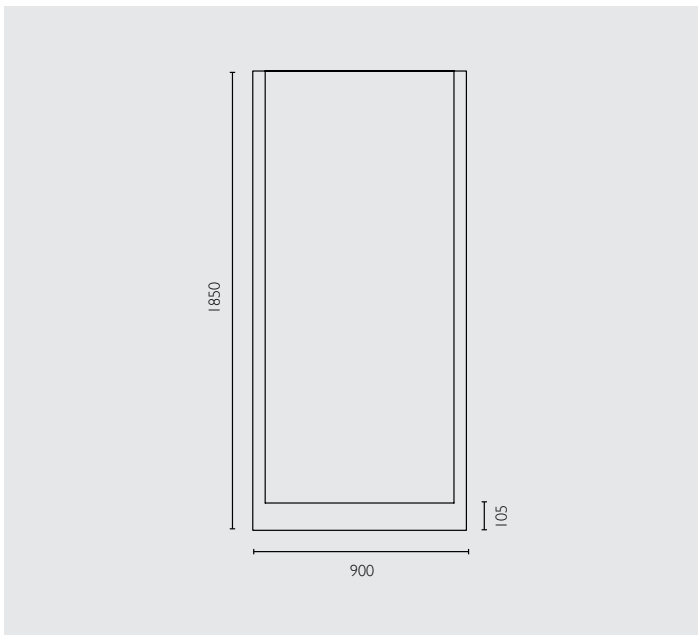




# se 10

shower enclosure



### Features & Benefits

- . One piece construction, leak proof
- . Standard 3 sided enclosure
- . Rear drainage outlet
- . Waste is positioned 610mm from front, 450mm from sides (centre)
- . Comes standard with curtain rail or can be ordered with screen
- . Ideal for portable homes, campervans, etc

### Sizes

- . 900mm x 765mm
- . 1850mm high
- . 105mm low step

### Waste

- . 80mm x 50mm PVC

### Colours

- . Enclosure - White or Ivory
- . Shower frame - White, Ivory or Polished Chrome or Gold
- . Curtain rail - Chrome
- . Glass - Clear only

### Manufacturing Materials

- . Fully moulded fibreglass unit with smooth acrylic finish
- . Frame is powder coated aluminium
- . Glass is 5mm toughened safety glass

### Guarantee

- . Enclosure comes with a 12 month guarantee
- . Marbletrend will supply a replacement product where a fault prior to correct installation

### Disclaimer

The manufacturer/distributor reserves the right to vary specifications or delete models from their range without prior notification. Dimensions and set-outs listed are correct at the time of publication however the manufacturer/distributor takes no responsibility for printing errors.

**HEAD OFFICE VIC**  
22 JERSEY ROAD  
BAYSWATER VIC 3153  
T. (03) 9729 6777  
F. (03) 9729 0115

**NSW/ACT**  
**QLD**  
**TAS**  
**WA**  
**SA**  
**DARWIN**  
**TOWNSVILLE**

T. (02) 9679 8888 F. (02) 9679 8700  
T. (07) 3386 1866 F. (07) 3386 1877  
T. (03) 6334 2992 F. (03) 6334 2994  
T. (08) 9240 7299 F. (08) 9240 6144  
T. (08) 8387 7344 F. (08) 8387 7355  
T. (08) 8948 5062 F. (08) 8985 3465  
T. (07) 4775 5784 F. (07) 4725 8480



SALES@MARBLETREND.COM.AU  
[WWW.MARBLETREND.COM.AU](http://WWW.MARBLETREND.COM.AU)