



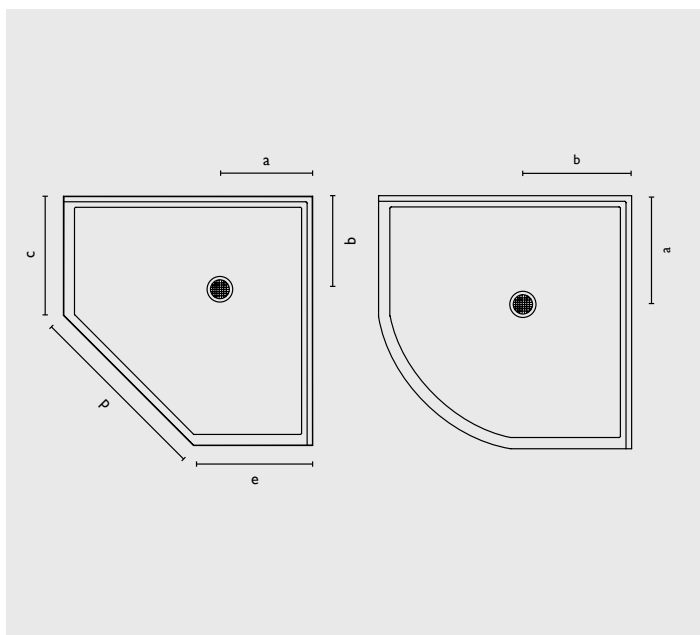
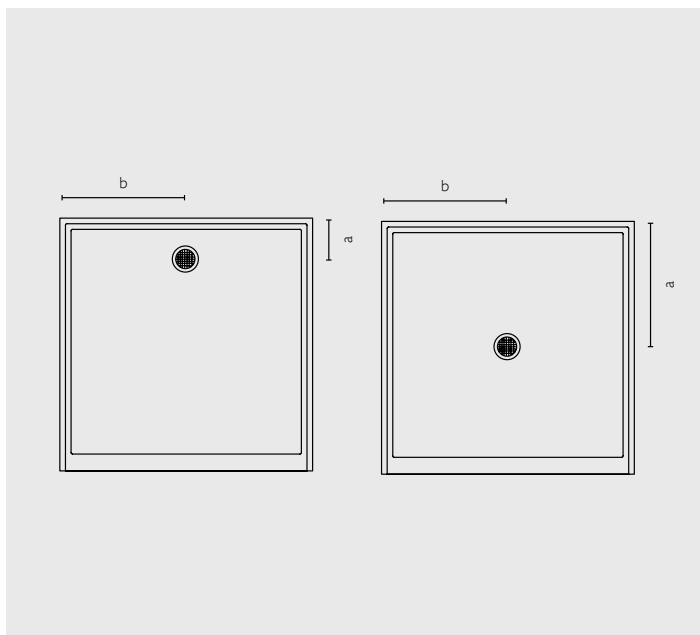
hampton

shower base



hampton

shower base



Features & Benefits

- Non check in
- Hampton base has a 50mm waste, standard for most households
- Waste positions are rear and centre, to suit most applications
- Self supporting
- High grade acrylic
- Easy installation
- 900 x 900mm rear outlet has three tile flanges
- 900 x 900mm rear outlet, right and left hand return also available
- 900 x 900mm centre outlet has three tile flanges
- 900 x 900mm centre outlet, double entry also available
- 1000 x 1000mm centre outlet has three tile flanges
- 1000 x 1000mm centre outlet, double entry also available

Size

standard.

- 900 x 900mm rear outlet
a: 150, b: 450mm
- 900 x 900mm centre outlet
a: 450, b: 450mm
- 1000 x 1000mm centre outlet
a: 500, b: 500mm
- 1200 x 900mm centre outlet
a: 450, b: 600mm

corner.

- 914 x 914mm centre outlet
a: 330, b: 330, c: 405, d: 700mm
- 1000 x 1000mm centre outlet
a: 400, b: 400, c: 430, d: 1000mm

curved.

- 900 x 900mm centre outlet
a: 350, b: 350mm
- 1000 x 1000mm rear outlet
a: 150, b: 150mm
- 1000 x 1000mm centre outlet
a: 405, b: 405mm

Colour

- White

Manufacturing Materials

- Sanitary grade acrylic

Guarantee

- Base comes with 12 months guarantee. Marbletrend will replace this product, if a fault is shown in manufacturing or materials prior to correct installation. The guarantee does not include removal and installation costs

Disclaimer

The manufacturer/distributor reserves the right to vary specifications or delete models from their range without prior notification. Dimensions and set-outs listed are correct at the time of publication however the manufacturer/distributor takes no responsibility for printing errors.

HEAD OFFICE VIC
22 JERSEY ROAD
BAYSWATER VIC 3153
T. (03) 9729 6777
F. (03) 9729 0115

NSW/ACT
QLD
TAS
WA
SA
DARWIN
TOWNSVILLE

T. (02) 9679 8888 F. (02) 9679 8700
T. (07) 3386 1866 F. (07) 3386 1877
T. (03) 6334 2992 F. (03) 6334 2994
T. (08) 9240 7299 F. (08) 9240 6144
T. (08) 8387 7344 F. (08) 8387 7355
T. (08) 8948 5062 F. (08) 8985 3465
T. (07) 4775 5784 F. (07) 4725 8480



SALES@MARBLETREND.COM.AU
WWW.MARBLETREND.COM.AU