

FEATURES & BENEFITS

- > Screen height 2000mm
- > Frameless design
- > Simple square handle
- > 8mm toughened glass for increased safety
- > Plain wall liner available
- > Pure 200 suits Project, Evo and Hampton bases
- > Pure 200 Walk-in suits Select base
- > Patch hinges

SIZES

Suit shower bases/tiled floor	Actual Size of Screen min - max sizes
900 x 900	Front 845-852mm Side 845-852mm
1000 x 1000	Front 945-952mm Side 945-952mm
1220 x 900	Front 1155-1162mm Side 845-852mm

HEIGHT

- > 2000mm

FRAME COLOUR

- > Chrome

HANDLE

- > Chrome only

MANUFACTURING MATERIALS

- > 8mm toughened glass,

GUARANTEE

12 months on screens. Marbletrend will replace a system where the problem is shown to be a fault in manufacturing or materials, prior to installation. This guarantee does not include removal and installation costs

PRODUCT CODES

SSPU26CHCLP	Pure 2000 900 X 900 Pivot Door Set	9322422022028
SSPU26CHCLR	Pure 2000 900 X 900 Return Panel Set	9322422022035
SSPU40CHCLP	Pure 2000 1000 X 1000 Pivot Door Set	9322422022042
SSPU40CHCLR	Pure 2000 1000 X 1000 Return Panel Set	9322422022059
SSPU34CHCLP	Pure 2000 1220 X 900 Pivot Door Set	9322422022066
SSPU26CHCLR	Pure 2000 900 X 900 Return Panel Set	9322422022035

DISCLAIMER

The manufacturer/distributor reserves the right to vary specifications or delete models from their range without prior notification. Dimensions and set-outs listed are correct at the time of publication however the manufacturer/distributor takes no responsibility for printing errors.

HEAD OFFICE VIC
22 JERSEY ROAD
BAYSWATER VIC 3153
T. (03) 9729 6777
F. (03) 9729 0115

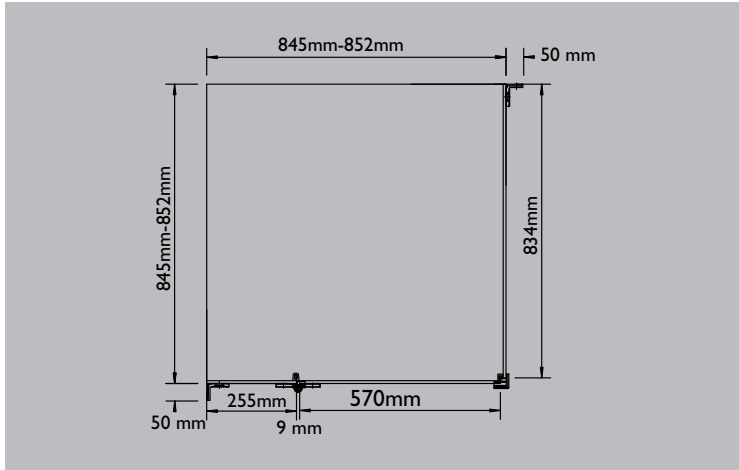
NSW/ACT
T. (02) 9679 8888 F. (02) 9679 8700
QUEENSLAND
T. (07) 3386 1866 F. (07) 3386 1877
WESTERN AUSTRALIA
T. (08) 9240 7299 F. (08) 9240 6144

TASMANIA
T. (03) 6334 2992 F. (03) 6334 2994
SOUTH AUSTRALIA
T. (08) 8387 7344 F. (08) 8387 7355
FAR NORTH QLD
T. (07) 4779 0177 F. (07) 4775 1480

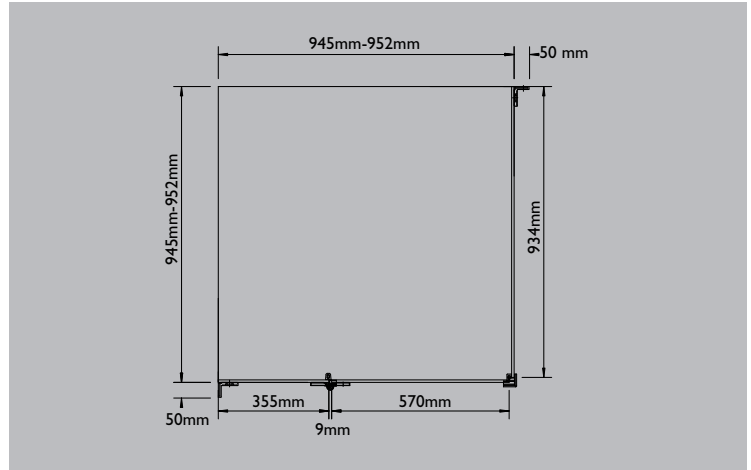
DARWIN
T. (08) 8947 0019 F. (08) 8947 0349

pure

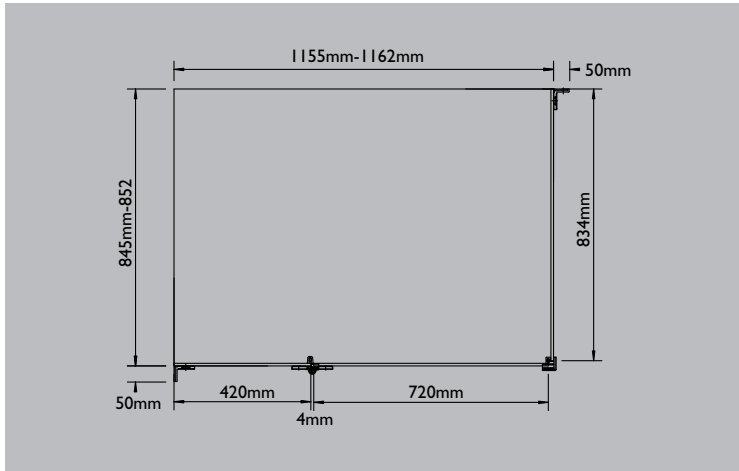
shower system



900X900



1000X1000



1220 X 900

GUARANTEE

12 months, where we will replace this product if a fault is shown to be caused by faulty manufacturing or materials. This guarantee does not include removal and installation costs.

DISCLAIMER

The manufacturer/distributor reserves the right to vary specifications or delete models from their range without prior notification. Dimensions and set-outs listed are correct at the time of publication however the manufacturer/distributor takes no responsibility for printing errors.



www.marbletrend.com.au