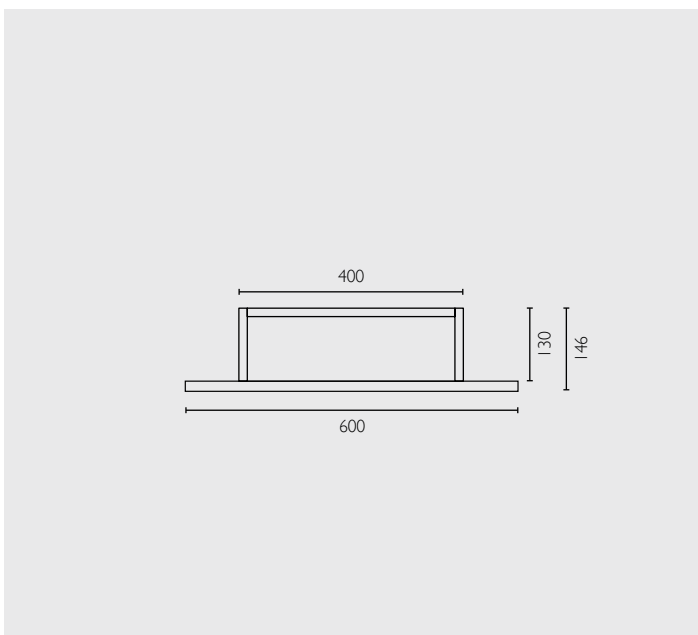
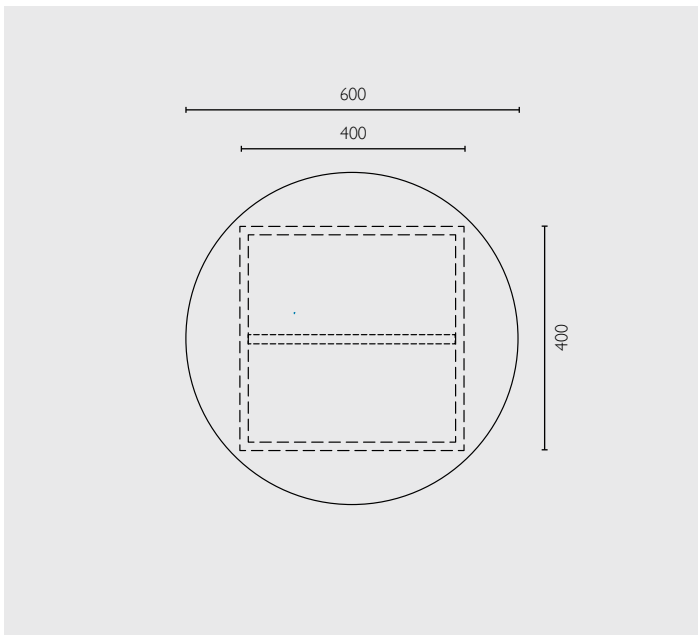




# select

round shaving cabinet



### Features & Benefits

- . Easy installation
- . Cabinet includes adjustable shelf
- . Co-ordinates with Marbletrend vanity units
- . Solid back, does not require special brackets
- . Minimalistic design

### Sizes

Shaving cabinet - 400mm x 400mm x 146mm (d)

Mirror and door - 600 diameter

### Colours

- . White gloss

### Manufacturing Materials

- . Polyurethane painted gloss

### Guarantee

- . Select shaving cabinet has a 12 month guarantee
- . Marbletrend will replace this product if a fault is shown to be caused by faulty manufacturing or materials
- . This guarantee does not include removal and installation cost

### Disclaimer

The manufacturer/distributor reserves the right to vary specifications or delete models from their range without prior notification. Dimensions and set-outs listed are correct at the time of publication however the manufacturer/distributor takes no responsibility for printing errors.

**HEAD OFFICE VIC**  
22 JERSEY ROAD  
BAYSWATER VIC 3153  
T. (03) 9729 6777  
F. (03) 9729 0115

**NSW/ACT**  
**QLD**  
**TAS**  
**WA**  
**SA**  
**DARWIN**  
**TOWNSVILLE**

T. (02) 9679 8888 F. (02) 9679 8700  
T. (07) 3386 1866 F. (07) 3386 1877  
T. (03) 6334 2992 F. (03) 6334 2994  
T. (08) 9240 7299 F. (08) 9240 6144  
T. (08) 8387 7344 F. (08) 8387 7355  
T. (08) 8948 5062 F. (08) 8985 3465  
T. (07) 4775 5784 F. (07) 4725 8480



SALES@MARBLETREND.COM.AU  
WWW.MARBLETREND.COM.AU