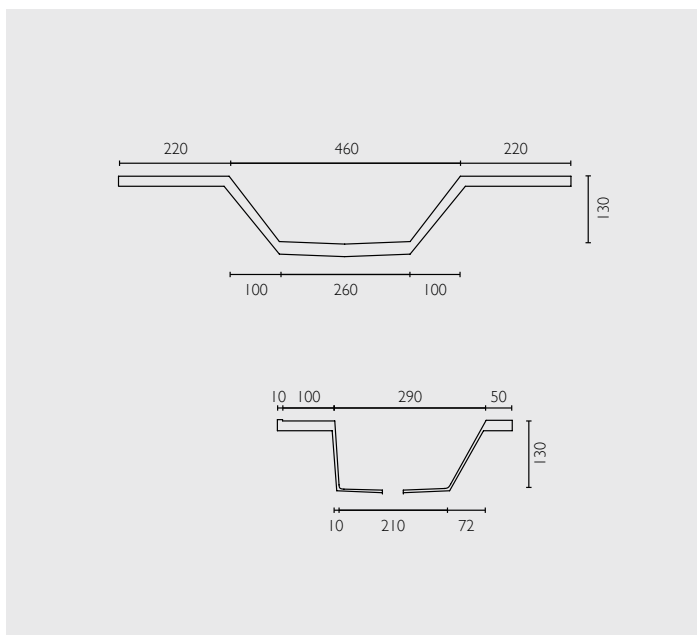
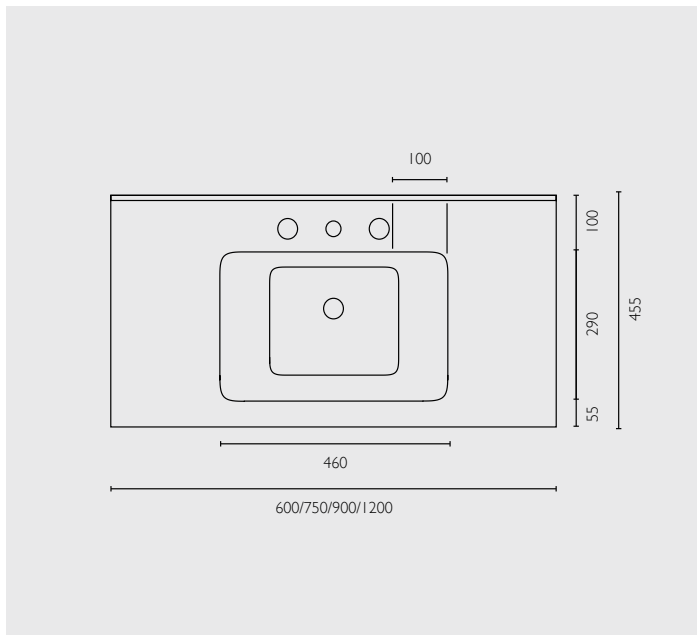


quadro

top



Features & Benefits

- Light weight square bowl for the modern bathroom
- Flat area near tapware for soap
- The 1 or 3 tap hole option allows you to co-ordinate tapware in your bathroom
- Smooth corners in bowl area for easy cleaning
- Bowl depth 130mm
- High gloss finish

Sizes

- 600mm x 350mm (to suit slimline cabinet) x 20mm H
- 600mm x 450mm x 20mm H
- 750mm x 450mm x 20mm H
- 900mm x 450mm x 20mm H
- 1200mm x 450mm x 20mm H
- Internal depth - 130mm

Waste

- 40mm (not included)

Colours

- White only

Manufacturing Materials

- Acrylic

Guarantee

- Quadro top comes with a 12 month guarantee
- Marbletrend will supply a replacement top where a fault is shown to be caused by faulty manufacture or materials, prior to correct installation
- Guarantee does not include removal and installation cost

Disclaimer

The manufacturer/distributor reserves the right to vary specifications or delete models from their range without prior notification. Dimensions and set-outs listed are correct at the time of publication however the manufacturer/distributor takes no responsibility for printing errors.

HEAD OFFICE VIC
22 JERSEY ROAD
BAYSWATER VIC 3153
T. (03) 9729 6777
F. (03) 9729 0115

NSW/ACT
QLD
TAS
WA
SA
DARWIN
TOWNSVILLE

T. (02) 9679 8888 F. (02) 9679 8700
T. (07) 3386 1866 F. (07) 3386 1877
T. (03) 6334 2992 F. (03) 6334 2994
T. (08) 9240 7299 F. (08) 9240 6144
T. (08) 8387 7344 F. (08) 8387 7355
T. (08) 8948 5062 F. (08) 8985 3465
T. (07) 4775 5784 F. (07) 4725 8480



SALES@MARBLETREND.COM.AU
WWW.MARBLETREND.COM.AU