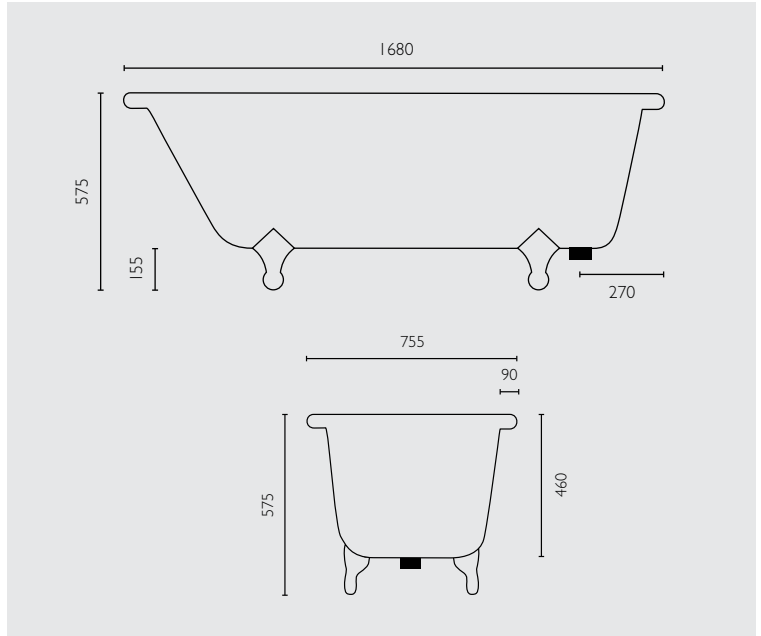


traditional

1500 bath



FEATURES & BENEFITS

- > Classic design
- > Brass or chrome feet available
- > Choice of colour combinations
- > Taps to be wall mounted

SIZES

- > 1500 x 755 x 575

COLOURS

- > Internal - White or Ivory
- > External - White, Ivory, Burgundy and Black

VOLUME

- > 1500 XX

WASTE

- > 40mm PVC

WEIGHT

- > 1500

MANUFACTURING MATERIALS

- > Internal - Acrylic
- > External - Reinforced Fibreglass

GUARANTEE

- > Baths come with a 5 year guarantee
- > Marbletrend will replace this product, if a fault is shown to be caused by faulty manufacturing or materials, prior to correct installation
- > This guarantee does not include removal and installation costs

CODES

TSWHBLB	White Int/Black Ex. Brass Feet	9322422088949
TSWHBLC	White Int/Black Ex. Chrome Feet	9322422089250
TSWHBUB	White Int/Burgundy Ex. Brass feet	9322422089281
TSWHBUC	White Int/Burgundy Ex. Chr Feet	9322422089328
TSWHIVB	White Int/Ivory Ex. Brass Feet	9322422089380
TSWHIVC	White Int/Ivory Ex. Chrome Feet	9322422089397
TSWHWHB	White Int/White Ex Brass Feet	9322422089410
TSWHWHC	White Int/White Ex. Chrome Feet	9322422089427
TSIVBUB	Ivory Int/Burgundy Ex. Brass Feet	9322422088925
TSIVBUC	Ivory Int/Burgundy Ex. Chrome Feet	9322422088963

DISCLAIMER

The manufacturer/distributor reserves the right to vary specifications or delete models from their range without prior notification. Dimensions and set-outs listed are correct at the time of publication however the manufacturer/distributor takes no responsibility for printing errors.

HEAD OFFICE VIC

22 JERSEY ROAD
BAYSWATER VIC 3153
T. (03) 9729 6777
F. (03) 9729 0115

NSW/ACT

T. (02) 9679 8888 F. (02) 9679 8700
QUEENSLAND
T. (07) 3386 1866 F. (07) 3386 1877
TASMANIA
T. (03) 6334 2992 F. (03) 6334 2994

WESTERN AUSTRALIA

T. (08) 9240 7299 F. (08) 9240 6144
SOUTH AUSTRALIA
T. (08) 8387 7344 F. (08) 8387 7355
DARWIN
T. (08) 8948 5062 F. (08) 8985 3465

FAR NORTH QLD

T. (07) 4779 0177 F. (07) 4775 1480

sales@marbletrend.com.au
www.marbletrend.com.au