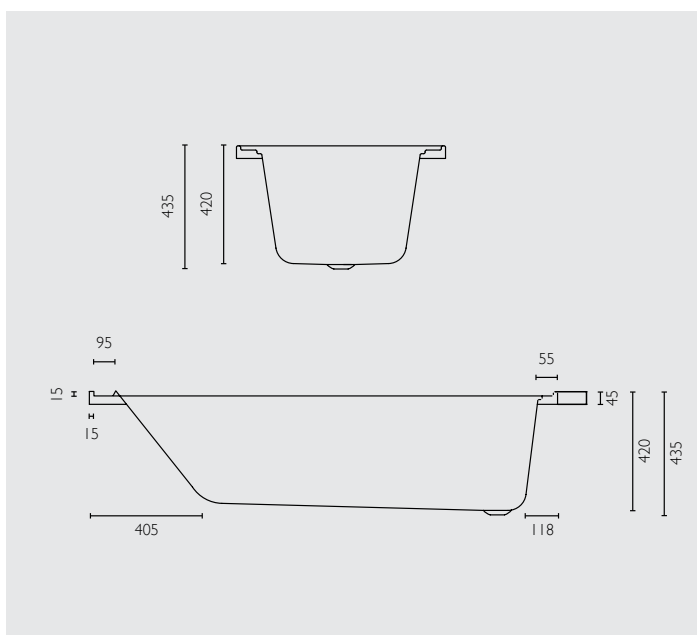
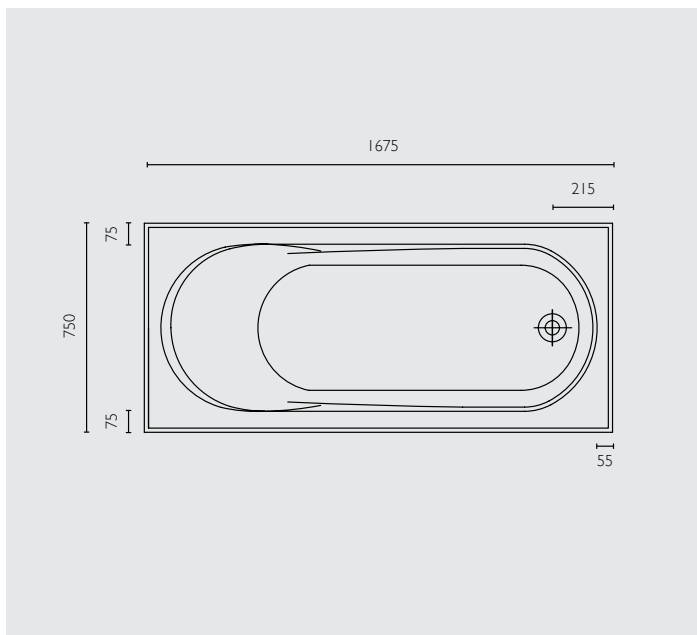
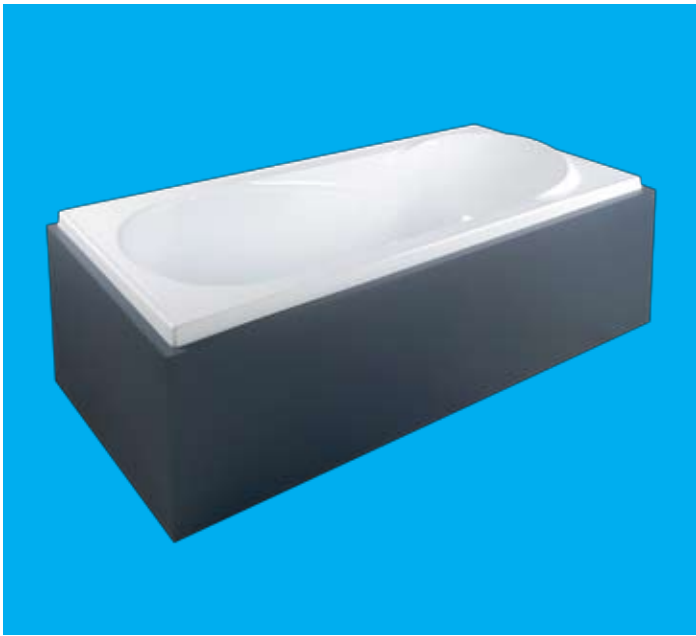


concept

1675 inset bath



Features & Benefits

- Classic simple design
- The support feet mean that this product does not require a mortar bed, by having the support feet you can simply silicone the bath directly to the floor
- Concept bath takes a 40mm plug and a waste (not supplied)
- No provision for tap holes on the bath
- The concept bath is deeper and wider than the project bath
- Internal arm rest supports for your comfort

Sizes

- 1675mm x 750mm x 420mm

Volume

- 230 Litres approx

Colours

- White only

Manufacturing Materials

- Acrylic self supported bath with anti skid surface
- This is an acrylic backed bath with fibreglass and an MDF support pad and support feet

Guarantee

- Concept bath has a 5 year guarantee where we will replace this product if a fault is shown to be caused by faulty manufacturing or materials.

Disclaimer

The manufacturer/distributor reserves the right to vary specifications or delete models from their range without prior notification. Dimensions and set-outs listed are correct at the time of publication however the manufacturer/distributor takes no responsibility for printing errors.

HEAD OFFICE VIC
22 JERSEY ROAD
BAYSWATER VIC 3153
T. (03) 9729 6777
F. (03) 9729 0115

NSW/ACT
QLD
TAS
WA
SA
DARWIN
TOWNSVILLE

T. (02) 9679 8888 F. (02) 9679 8700
T. (07) 3386 1866 F. (07) 3386 1877
T. (03) 6334 2992 F. (03) 6334 2994
T. (08) 9240 7299 F. (08) 9240 6144
T. (08) 8387 7344 F. (08) 8387 7355
T. (08) 8948 5062 F. (08) 8985 3465
T. (07) 4775 5784 F. (07) 4725 8480



SALES@MARBLETREND.COM.AU
WWW.MARBLETREND.COM.AU