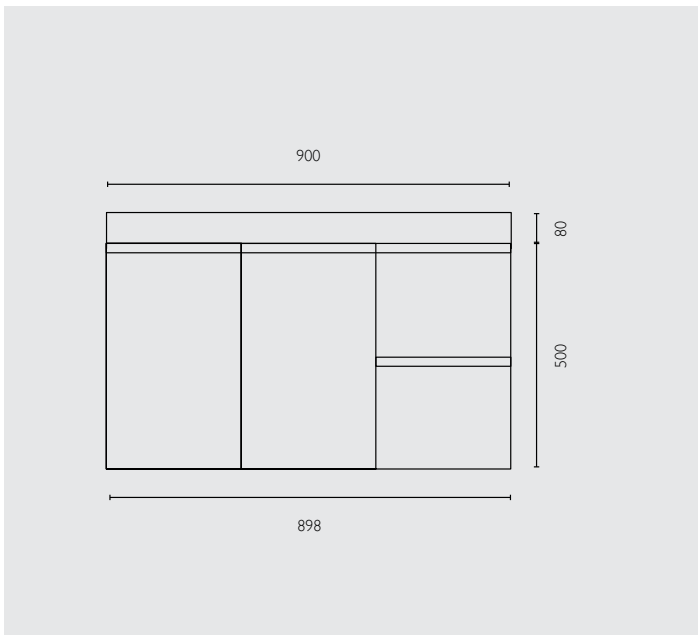




select

900 select top vanity



#### Features and benefits

- Available with select top or pure basin
- Select top has large bowl size 500 x 350mm
- Select top is seamless for easy cleaning
- Rebated handle
- Wall hung, easy to clean underneath and creates space
- Timeless piece of furniture

#### Vanity Sizes

- 900mm x 500mm x 580mm (includes top)

#### Top Sizes

- 900mm x 900mm x 80mm
- 120mm internal depth

#### Colour Options

- White

#### Manufacturing Materials

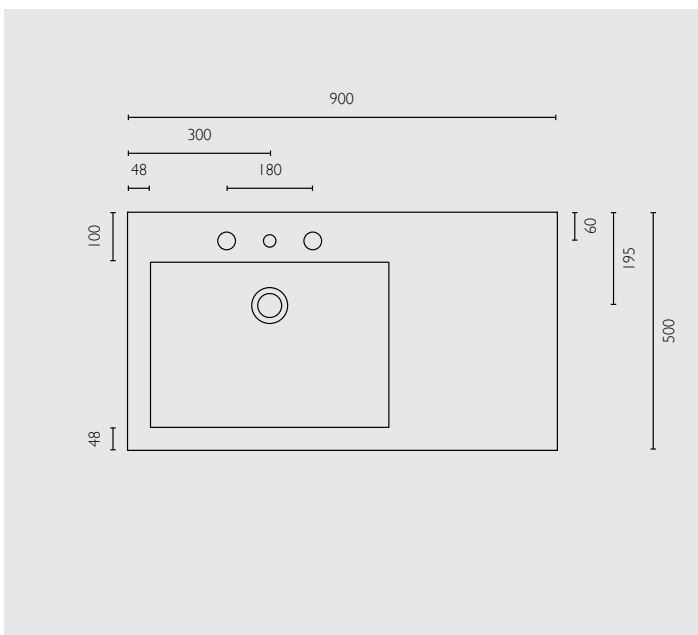
- Tops: Marblelite™
- Vanity: Aquaguard Finish

#### Tap Options

- N, I or 3.T.H

#### Guarantee

- Vanities come with a 12 month guarantee
- Marbletrend will replace a vanity where the problem is shown to be a fault in manufacturing or materials, prior to correct installation



#### Disclaimer

The manufacturer/distributor reserves the right to vary specifications or delete models from their range without prior notification. Dimensions and set-outs listed are correct at the time of publication however the manufacturer/distributor takes no responsibility for printing errors.

**HEAD OFFICE VIC**  
22 JERSEY ROAD  
BAYSWATER VIC 3153  
T. (03) 9729 6777  
F. (03) 9729 0115

**NSW/ACT**  
**QLD**  
**TAS**  
**WA**  
**SA**  
**DARWIN**  
**TOWNSVILLE**

T. (02) 9679 8888 F. (02) 9679 8700  
T. (07) 3386 1866 F. (07) 3386 1877  
T. (03) 6334 2992 F. (03) 6334 2994  
T. (08) 9240 7299 F. (08) 9240 6144  
T. (08) 8387 7344 F. (08) 8387 7355  
T. (08) 8948 5062 F. (08) 8985 3465  
T. (07) 4775 5784 F. (07) 4725 8480



SALES@MARBLETREND.COM.AU  
WWW.MARBLETREND.COM.AU