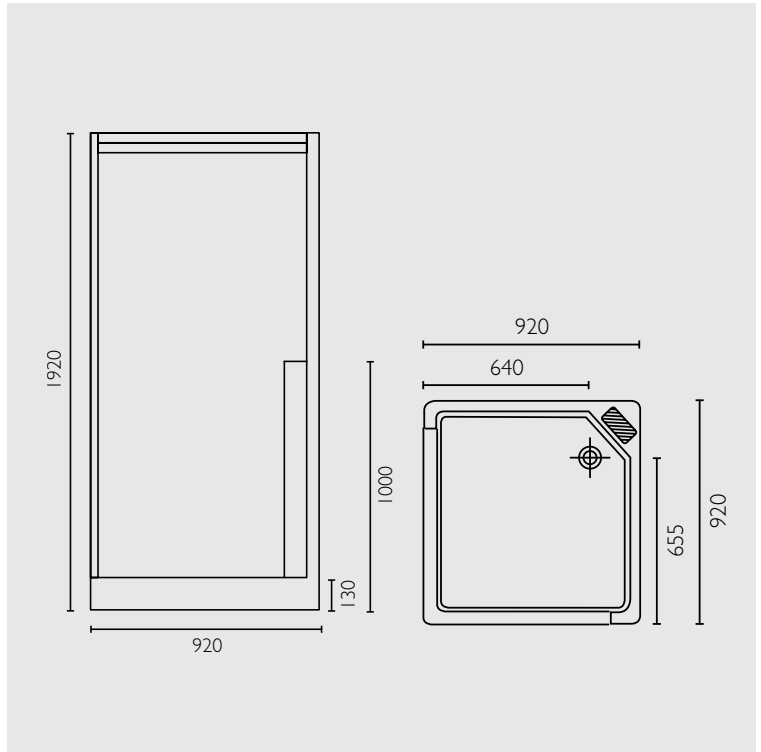


se 30

shower enclosure



FEATURES & BENEFITS

- > One piece construction, leakproof
- > Full size two sided corner enclosure
- > Fully moulded central soap holder, 1000mm from floor
- > Corner waste outlet
- > Waste is positioned 655mm from front and sides
- > Comes standard with curtain rail

SIZES

- > 920mm x 920mm
- > 1920mm high
- > 120mm low step

WASTE

- > 40mm PVC

COLOURS

- > Enclosure - white and ivory
- > Curtain rod - chrome

MANUFACTURING MATERIALS

- > Fully moulded fibreglass unit with smooth acrylic finish

GUARANTEE

- > Enclosure comes with a 12 month guarantee
- > Marbletrend will supply a replacement product where a fault is shown to be caused by faulty manufacture or materials, prior to correct installation.

CODES

SE30AI	915x915 A/Ivory L/S
SE30WH	915x915 White L/S

DISCLAIMER

The manufacturer/distributor reserves the right to vary specifications or delete models from their range without prior notification. Dimensions and set-outs listed are correct at the time of publication however the manufacturer/distributor takes no responsibility for printing errors.

Toll Free: 1800 902 226
sales@marbletrend.com.au
www.marbletrend.com.au