



MODEL OPTIONS

- 914 X 914 SCREEN
- 1000 X 1000 SCREEN

IMPORTANT INFORMATION

BOSTON NEO 2000

Please inspect the product immediately upon receipt for transit damage, missing packs/parts or manufacturing faults. Damage reported later cannot be accepted. Please handle the product with care avoiding knocks and shock loading to all sides and edges of glass.

Damaged glass or missing parts will not be replaced under warranty if the installation process has begun.

NOTES: SAFETY GLASS CANNOT BE REWORKED

Please read these instructions carefully before you start installation. Special care should be taken when drilling walls to avoid hidden pipes or electrical cables.

Securing into a stud or timber brace is highly recommended, if unable to do so, other secure means of fixing must then be considered.

AFTER CARE INSTRUCTIONS

After use, your shower should be cleaned with soap and water. This is particularly important in hard water districts where insoluble lime salts may be deposited and allowed to build up. Cleaners of a gritty nature should not be used. Care should be taken to avoid contact with strong chemicals such as organic solvents and strippers. Glass cleaners can be used but with caution. If in doubt please contact the manufacturer of the cleaner in question.

Please keep these instructions for aftercare and customer service details.

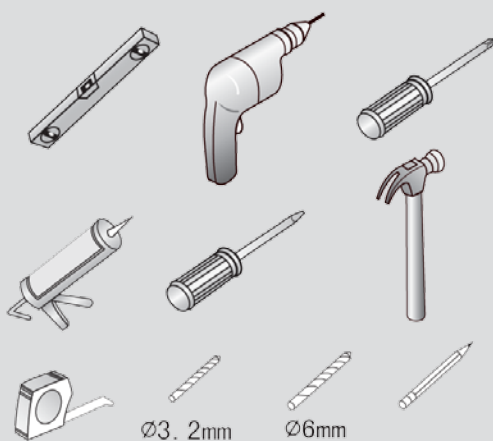
12 MONTH WARRANTY

The warranty covers faults in the product construction, material and assembly. Faulty products will be repaired or exchanged free of charge. Faulty items become our property. In the event of a warranty claim, we will repair or replace defective products or pay for the cost of having defective products repaired or replaced, but will not be liable for any injury to any person, damage to any property, and indirect or inconsequential loss, or in any other respect.

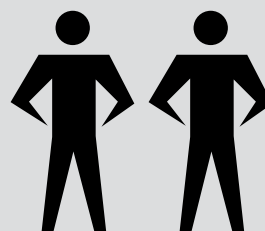
This warranty does not include faults caused by:

Unsuitable or improper use. Incorrect installation. Normal wear and tear. Inadequate or complete lack of maintenance. Chemical, electrochemical or electrical influences.

TOOLS REQUIRED

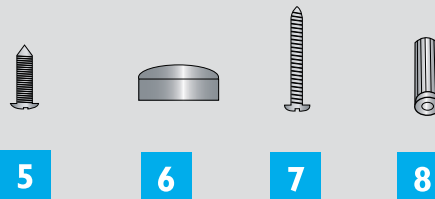
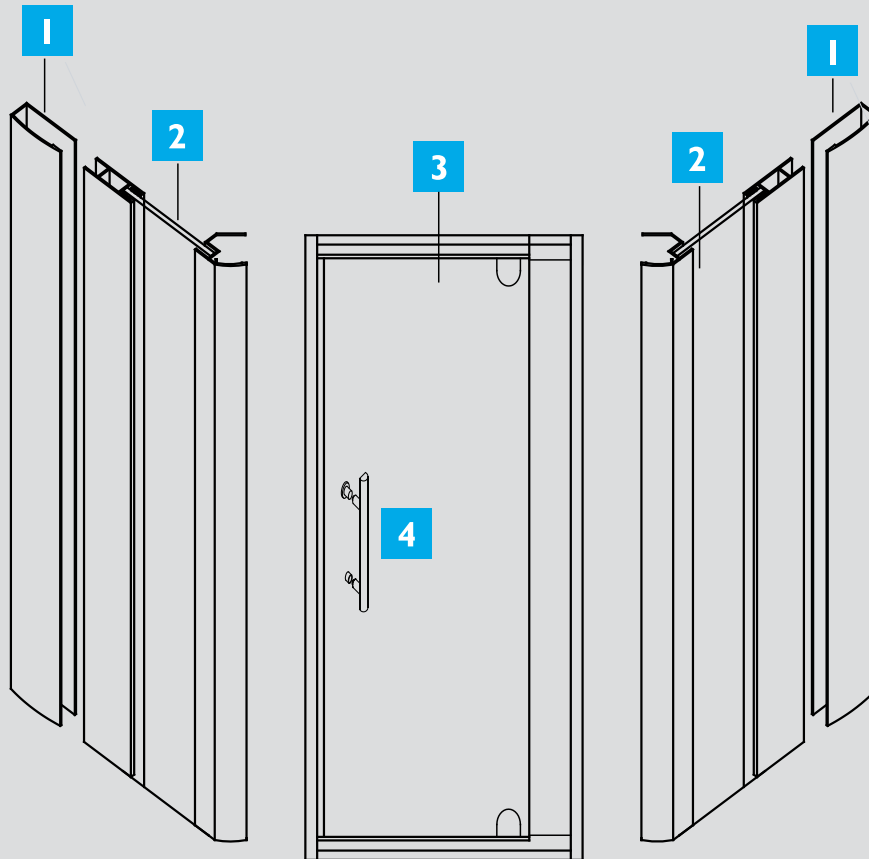


This product is heavy and may require 2 people to install.



ASSEMBLY DRAWING

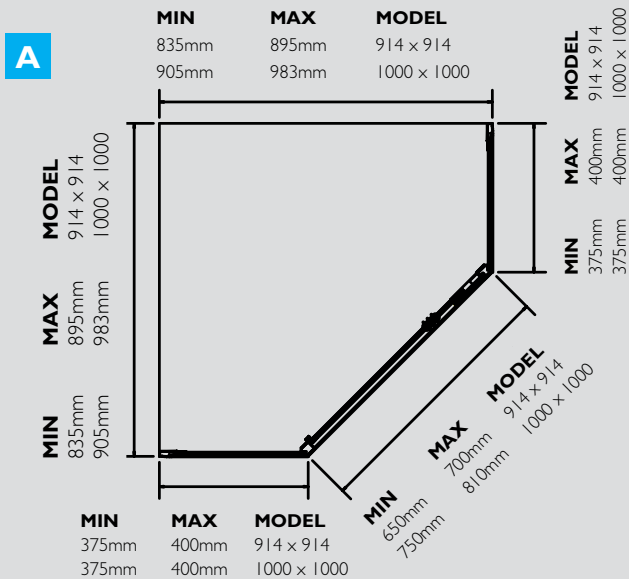
BOSTON NEO 2000



REQUIRED PARTS

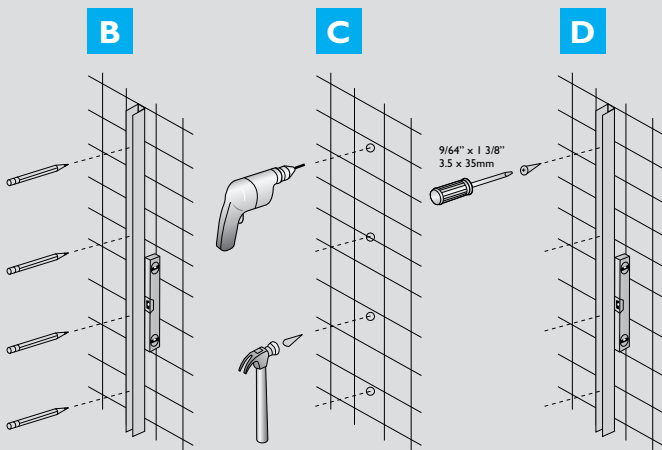
- | | | | |
|----------|------------------------------------|----------|-----------------------------|
| 1 | 2 x wall jamb | 2 | 2 x Fixed side panel |
| 3 | 1 x Door front assembly | 4 | 1 x Handle set |
| 5 | 19 x Fixed panel screws - 8mm | 6 | 19 x Fixed panel screw caps |
| 7 | 8 x Wall jamb fixing screws - 35mm | 8 | 8 x 6mm wall plugs |

STEPS A - D



A Measure your shower base / shower area. The measurement to the outside edge of the wall jambs (1) should be somewhere within the minimum and maximum of the screen size. See chart to the left.

Note: If using the maximum size make sure that you allow for walls that may out of plumb. If your walls are 10mm out of plumb reduce your screen size area by this amount.



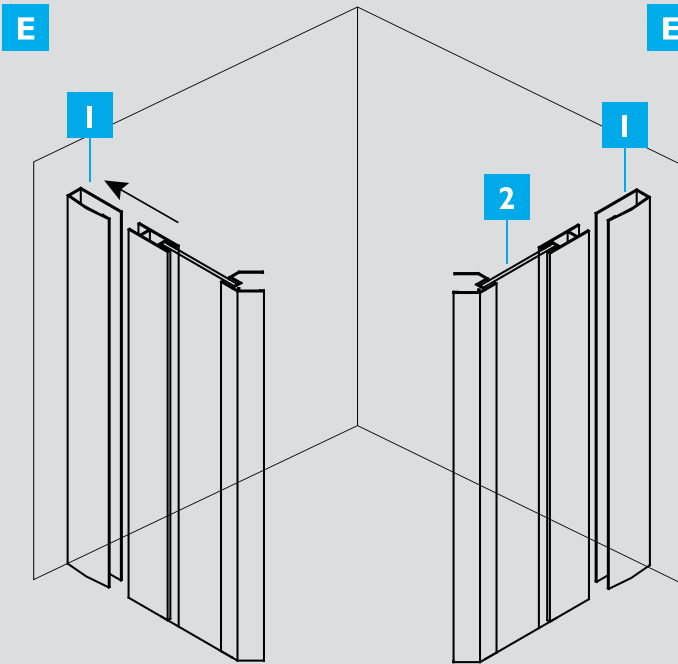
B Using a level ensure jamb (1 & 10) are plumb then mark the outside edge with a pencil. Then mark your pre-drilled screw holes that are on the inside of the jamb (1) and on the tab of jamb (10). Tab to be on the inside of shower. See diagram A above.

C Remove jambs and drill 6mm holes into walls with drill bit. Insert plastic wall plugs (9) that are provided.

Note: Please use the correct or most suitable fixing for the surface you are screwing into, to ensure the jamb is securely fixed to the wall eg. toggle wall plug.

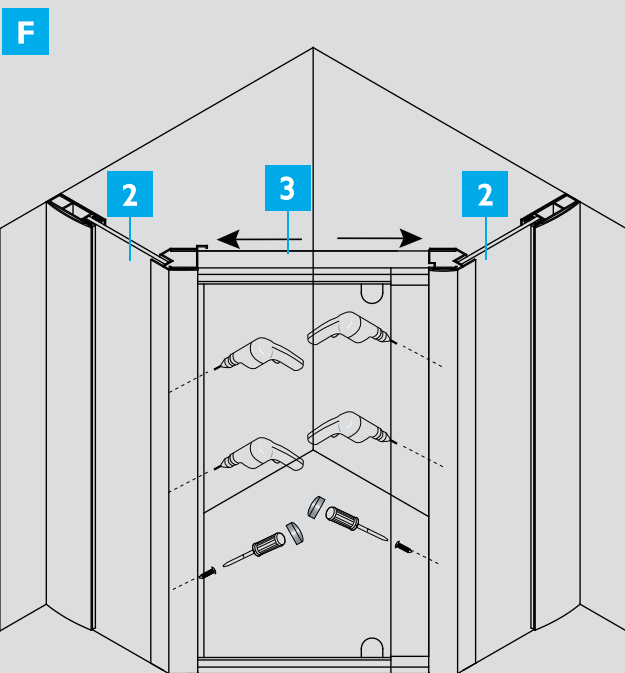
D Using a level, ensure jamb (1) is plumb and the holes in the jamb line up with the holes in the wall. Fix jamb to wall using the screws provided (8).

STEPS E & F



E Slide fixed panel (2) into jambs (1)

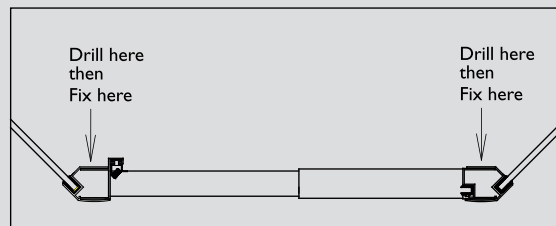
Hint: Insert top or bottom corner first then you will find that the rest of the panel will slide in easily.



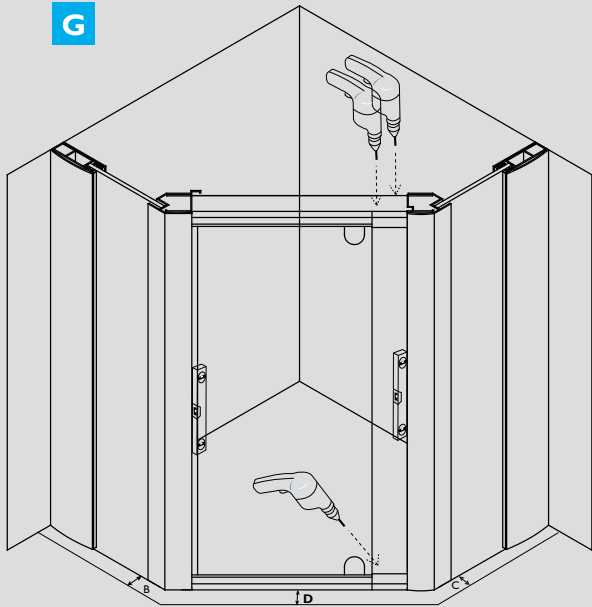
F Slide front of fixed panel (2) over extrusion on front door assembly (3). Now drill 4 equally spaced 3.2mm holes on the **INSIDE** of the screen (See aerial view). Fix side panel (2) to front assembly (3) using fixed panel screws 8mm (5). Cap all screws using fixed panel screw caps (6).

Slide door front assembly (3) apart so it meets other fixed panel then repeat step F for this slide.

Aerial View



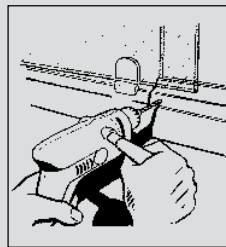
STEPS G & H



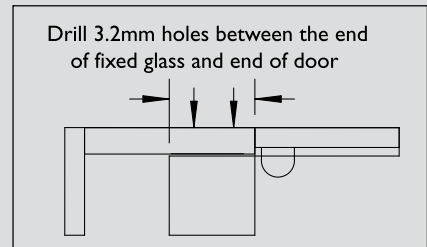
Only the one hole in bottom rail

G Adjust front assembly and fixed side panel so $B=C=D$. This is done by sliding the fixed panel in or out of the wall extrusion for the fixed side. For the front, the top and bottom rails of the front assembly slide apart for adjustment.

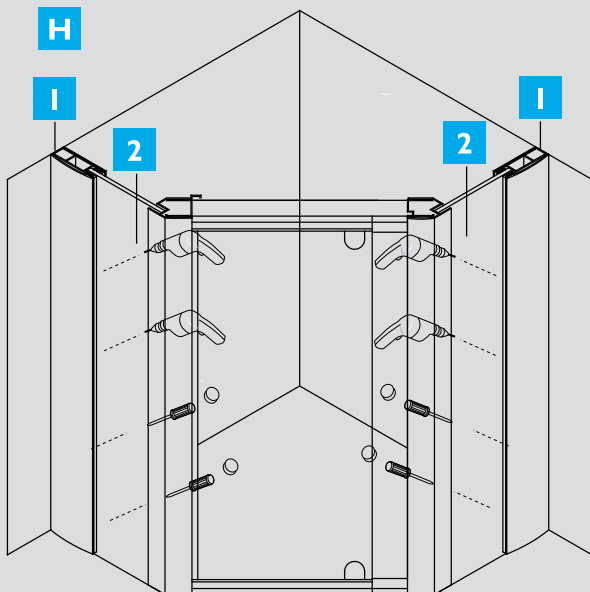
Now fix off the bottom rail at the location pictured on the inside of the screen. Using a level ensure front assembly and side panel are vertical. Now drill 3.2mm holes then fix with screws (5) as shown to top rail of front assembly. See front shower view.



INSIDE SHOWER VIEW

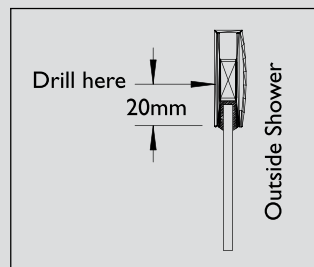


FRONT SHOWER VIEW

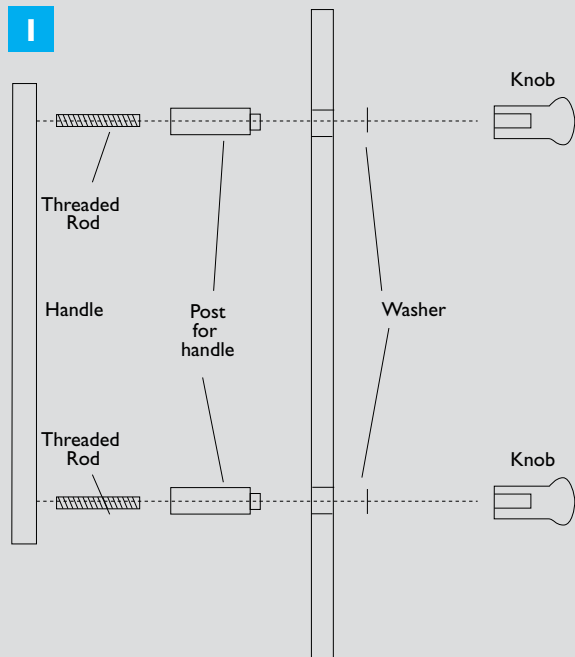


H Now drill 4 equally spaced 3.2mm holes into the wall jamb (1) on the **INSIDE** of the screen. Make sure that your drill holes are more than 20mm back from the glass edge, when using smallest screen size, otherwise you may break the glass. Make sure that the holes also go through the aluminium of the fixed side panel.

Fix off wall jamb (1) to fixed side panels (2) using fixed panels screws (5) and covering them with caps (6) provided



STEPS I & J

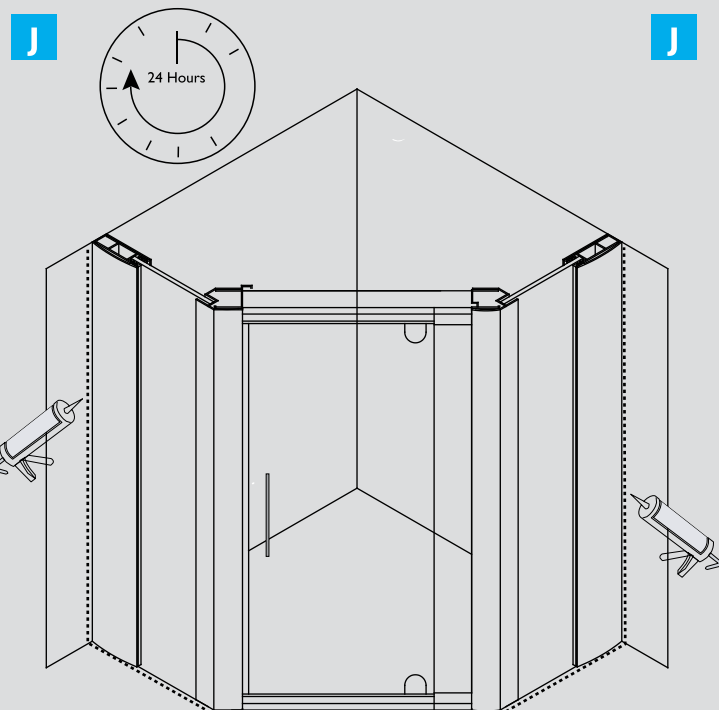


I Attached handle to the door as shown.

Step 1 Screw the threaded rod into the handle.

Step 2 Slide top and bottom post onto the threaded rod, making sure the post is facing the right way

Step 3 Bring the handle up to the glass, allowing the top and bottom post to locate into the hole in the glass. Fix the knob onto the threaded rod, making sure the washer is between the glass and the knob.



J Apply silicone sealer around all external joints of shower screen and allow 24 hours for silicone to set.

Silicone is not used on the inside of the shower screen because in time water can build up within the wall jamb and make the screen leak out of the shower area. The screens are designed to allow the water to return into the shower area if any is present.

Screens that are sealed on the inside, will void warranty.

FOR ANY FURTHER INFORMATION PLEASE CONTACT US:**HEAD OFFICE**

22 Jersey Road. PO Box 43 Bayswater VIC 3153

T (03) 9729 6777 F (03) 9729 0115

NEW SOUTH WALES

Unit 1/208 Walters Road Arndell Park NSW 2148

T (02) 9679 8888 F (02) 9679 8700

QUEENSLAND

17 Gassman Drive Access Park Yatala QLD 4207

T (07) 3386 1866 F (07)3386 1877

WESTERN AUSTRALIA

11 Cressall Road Balcatta WA 6021

T (08) 9240 7299 F (08) 9240 6144

FAR NORTH QUEENSLAND

Ralph Buck Agencies 15 Mackley Street Garbutt QLD 4814

T (07) 4779 0177 F (07) 4775 1480

SOUTH AUSTRALIA

RD Agencies Pty Ltd.

3 Boulder Court Morphett Vale SA 5162

T (08) 8387 7344 F (08) 8387 7355

TASMANIA

Allan Powell Agencies Warehouse.

1 Broadland Drive Launceston TAS 7250

T (03) 6334 2992 F (03) 6334 2994

DARWIN

Umcos Trading Pty Ltd.

12a Tang Street Coconut Grove NT 0810

T (08) 8948 5062 F (08) 8985 3465

www.marbletrend.com.au