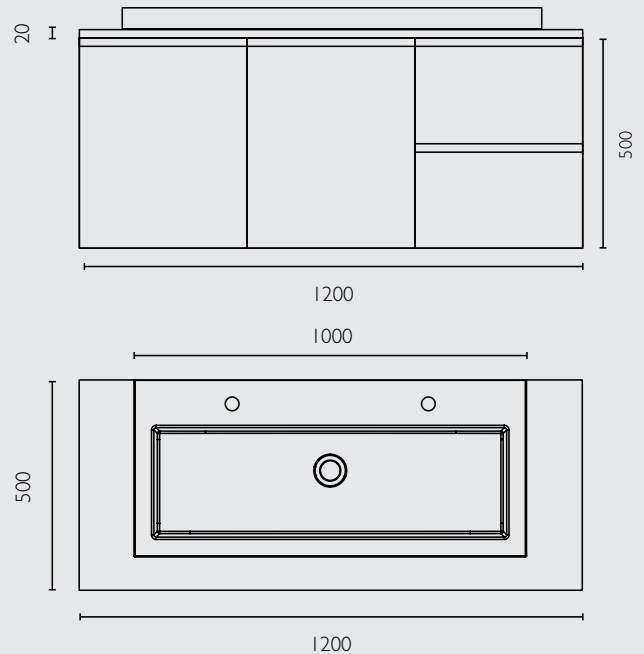


select

1200 pure top vanity



FEATURES AND BENEFITS

- > Available with select top or pure basin
- > Pure basin is slimline design
- > Rebated handle
- > Wall hung, easy to clean underneath and creates space
- > Smooth clean lines

VANITY SIZE

- > 1200mm x 500mm x 520mm (excludes top) H

PURETOP SIZE

- > 1000mm x 450mm x 50mm x 110mm internal depth

COMPONENTS

- > 1200mm 2 door 2 drawer

TAP OPTIONS

- > N, I or 3.T.H

OPTIONS

- > Fresh Mirror
- > Select mirrored cabinets

VANITY COLOUR

- > Gloss white

TOP COLOUR

- > White only

MANUFACTURING MATERIALS

- > Vanity: Aquaguard finish
- > Tops : Marblelite™

GUARANTEE

- > Vanities come with a 12 month guarantee
- > Marbletrend will replace a vanity where the problem is shown to be a fault in manufacturing or materials, prior to correct installation

CODES

SBWH48A 1200x500 WHite 2Dr/2Drws RHD

Basin options:

PU42A ICW Pure Basin 1000x450 White 3th

PU42B ICW Pure Basin 1000x450 White 2 x 1th

PU42C ICW Pure Basin 1000x450 White 1th

DISCLAIMER

The manufacturer/distributor reserves the right to vary specifications or delete models from their range without prior notification. Dimensions and set-outs listed are correct at the time of publication however the manufacturer/distributor takes no responsibility for printing errors.

Toll Free: 1800 902 226
sales@marbletrend.com.au
www.marbletrend.com.au